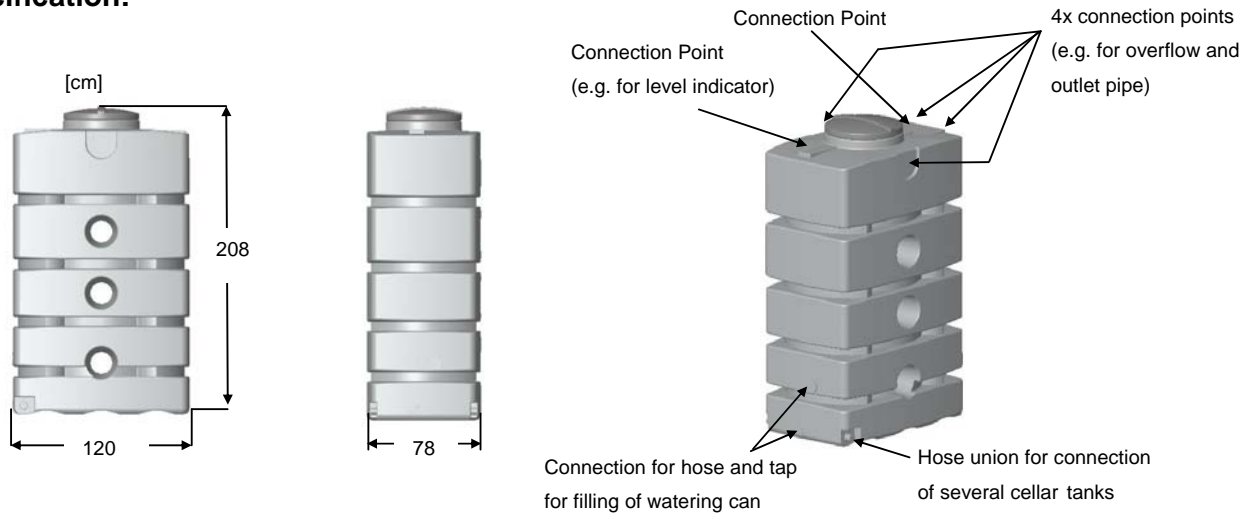


Installation Instructions

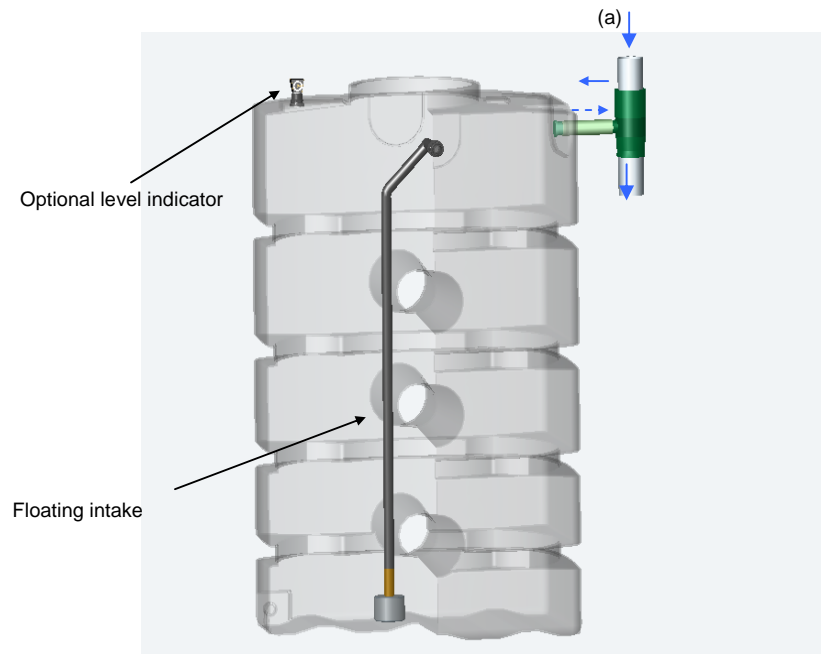
1. Specification:



- Install the tank on a flat, level surface.
- If the tank is to be used in an unheated area it should be emptied when there is a risk of freezing, to avoid frost damage. The optional filter collector must also be turned to its winter setting.

2. Installation with 3P filter collector

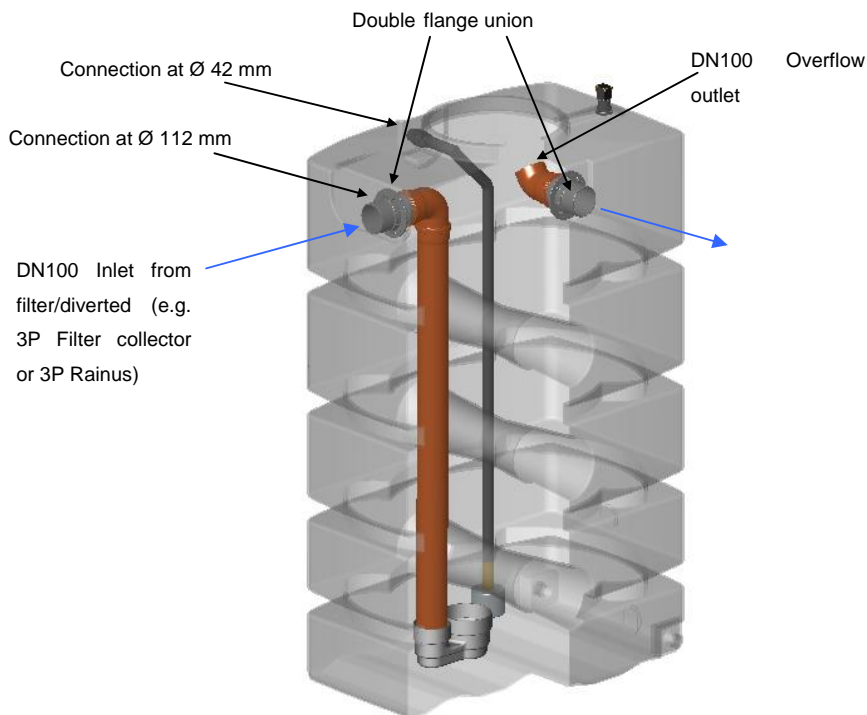
An optimum filter collector connection point is shown (a)



3. Attaching the filter collector:

- Cut through the tank wall at connection point with correctly sized hole saw according to the filter collector instructions.
- Insert grommet and push-fit the filter collector to the tank.

4. Standard installation of utility tank



5. Connections to utility tank

- The Utility tanks are supplied with un-bored connection points at DN100 for intake, overflow and outlet, these can be drilled at smaller sizes (e.g. 50 mm) to fit your down pipe or from the filter collector/diverter.
- The lower hose unions are used for connecting multiple tanks together.
- The inlet, overflow, floating intake and mechanical level announcement connections are shown in the diagrams.

6. Tank inflow assembly (connection by means of DN100 pipe)

1. Drill with hole saw Ø approx. 112 mm.
2. Mark and drill the eight screw holes, Ø 7 mm.
3. Seal and screw on double flange union.
4. Push-fit calmed inlet pipe connection onto the inner flanged double union.
(It may be necessary to grease with lubricant before attaching.)
5. Connect the filter collector/diverter to the outer double flange union.

7. Overflow Assembly

Tip: Overflow should be in the same tank as the inlet

1. Drill with hole-saw \varnothing approx. 112 mm.
2. Mark and drill the eight screw holes, \varnothing 7 mm.
3. Mount double flange union.
4. Push fit the overflow to the inner flanged union.
5. Connect the gutter-pipe to the outer double flange union.

8. Connecting multiple utility tanks together

1. Cut a \varnothing 45mm hole in the end of the pipe union.
2. Push fit the connecting hose on the connection points and tighten the hose-clips to form a seal.

We recommend filling the tank around half full of water to reach a sufficient water pressure then checking for leaks to ensure a proper installation.



Note: Distance between the individual tanks min. 10 cm.