

QuickStop Advance

Instant closure hydraulic regulator

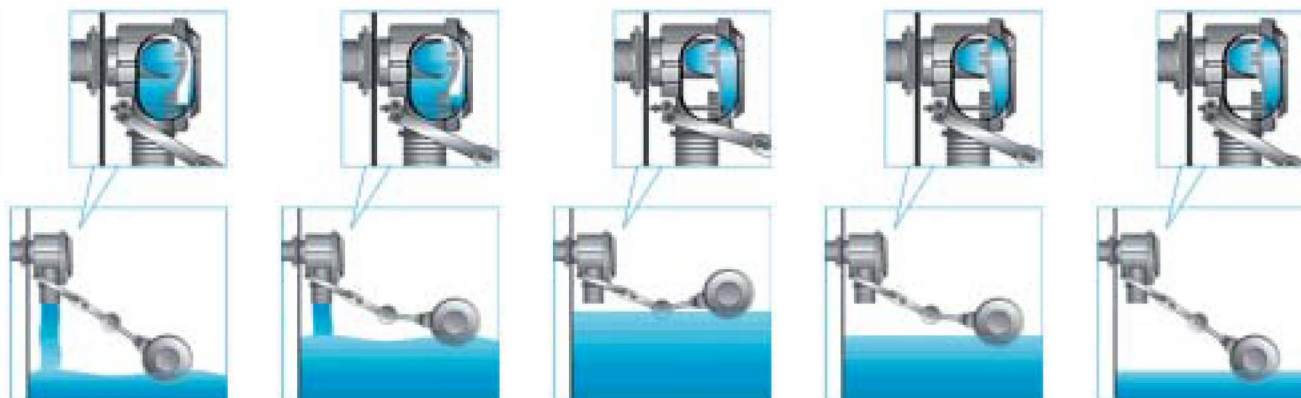


QuickStop is a hydraulic level regulator of advanced design that eliminates the classic defects of such devices. Its main feature and an intrinsic part of the patent (Pat. FI/96/A/000083) is the rapidity of operation of the system which goes from open to closed and viceversa in a fraction of a second, avoiding long noise periods and the dripping due to choked filling. Thanks to its servo-controlled closure device, a small float is sufficient for any pipe diameter and the closure strength increases as the entry piping pressure increases.

Versioni disponibili / Availability

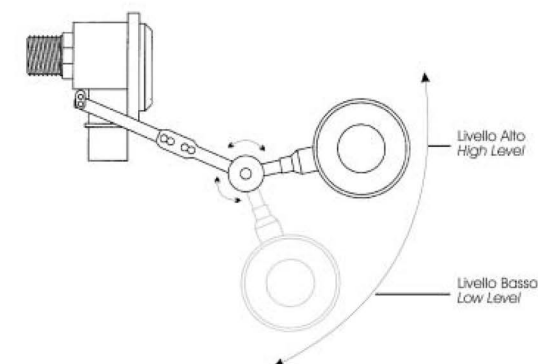
QuickStop con attacco BSP versione Europea o NPT versione Americana / Quickstop with BSP connection of European version or NPT American version

| Attacco BSP / BSP connection | Ø uscita mm / Exit Ø mm | Dimensioni mm / Dimensions mm | codici / codes |
|------------------------------|-------------------------|-------------------------------|----------------|
| 3/8" | 9,5 | 240x80x50 | QS0000009 |
| 1/2" | 25 | 240x80x50 | QS0000012 |
| 3/4" | 25 | 350x150x70 | QS0000018 |
| 1" | 25 | 350x150x70 | QS0000025 |
| 1 1/4" | 25 | 350x150x70 | QS0000032 |
| 1 1/2" | 25 | 350x150x70 | QS0000040 |
| Attacco NPT / NPT connection | Ø uscita mm / Exit Ø mm | Dimensioni mm / Dimensions mm | codici / codes |
| 3/4" | 25 | 350x150x70 | QS0F00018 |
| 1" | 25 | 350x150x70 | QS0F00025 |
| 1 1/4" | 25 | 350x150x70 | QS0F00032 |
| 1 1/2" | 25 | 350x150x70 | QS0F00040 |



Type with adjustable levels

On request is available the version with adjustable levels. In this type you can adjust the high and low level desired, by acting on the joint of the arm.



Functioning dynamics of the device

By varying the level of the liquid the floating element carries, through the hub of the arm, a force to the plunger. So the passage of water is instantly opened or closed through a membrane driven by the plunger.