



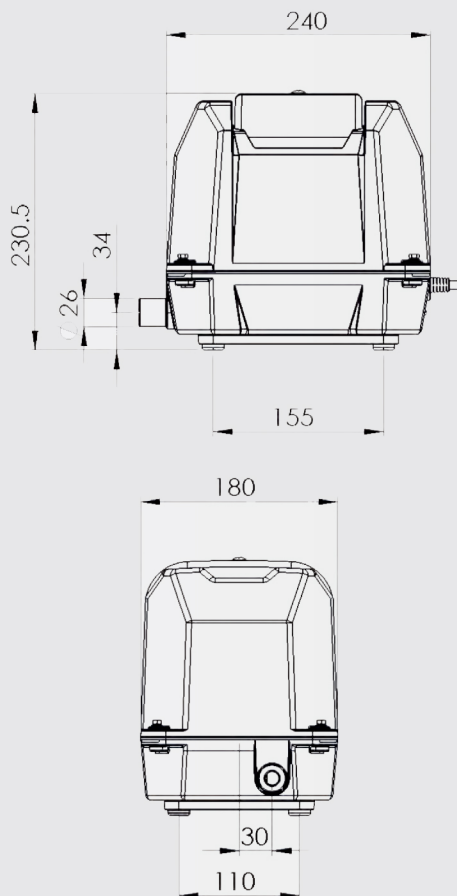
JDK Series

JDK - 150 / JDK - 200 / JDK - 250

Product Characteristics

- Simple Maintenance
- Long Lifecycle
- Low Noise Levels
- Highly Reliable Auto-Stopper
- Pressure Relief Valve Included
- LED Service Light (Cable Optional)
- Aluminium Housing

Dimensions



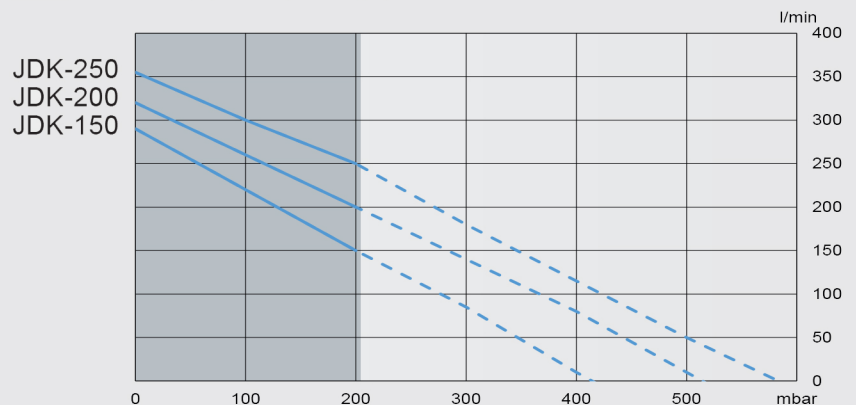
Technical Data

Model			JDK-150	JDK-200	JDK-250
Air Flow l/min	l/min	0 mbar	270	290	300
		50 mbar	240	270	325
		100 mbar	210	245	300
		150 mbar	180	220	270
		200 mbar	150	200	250
Voltage	V		230		
Power Consumption	W	200 mbar	115	180	225
Noise Level	dB(A)		44	46	52
Dimensions	mm	L x W x H	240 X 180 X 230.5		
Connection	mm	ø outside	26		
Net Weight	Kg		10		

1) Product performance may vary +/- 10% from performance curves. 2) Values at 50Hz.

Performance Data

230V / 50 Hz, optimal operating span



Spare Parts / Accessories

Spares	BIBUS Code
Service Kit	SE40
Diaphragm Sets	SE41
Filters	SE42
Magnets	SE43 / SE44
Autotoppers	SK53204150
Accessories	
Pressure Gauge	BP1

SE44 Magnet used only in the JDK-250