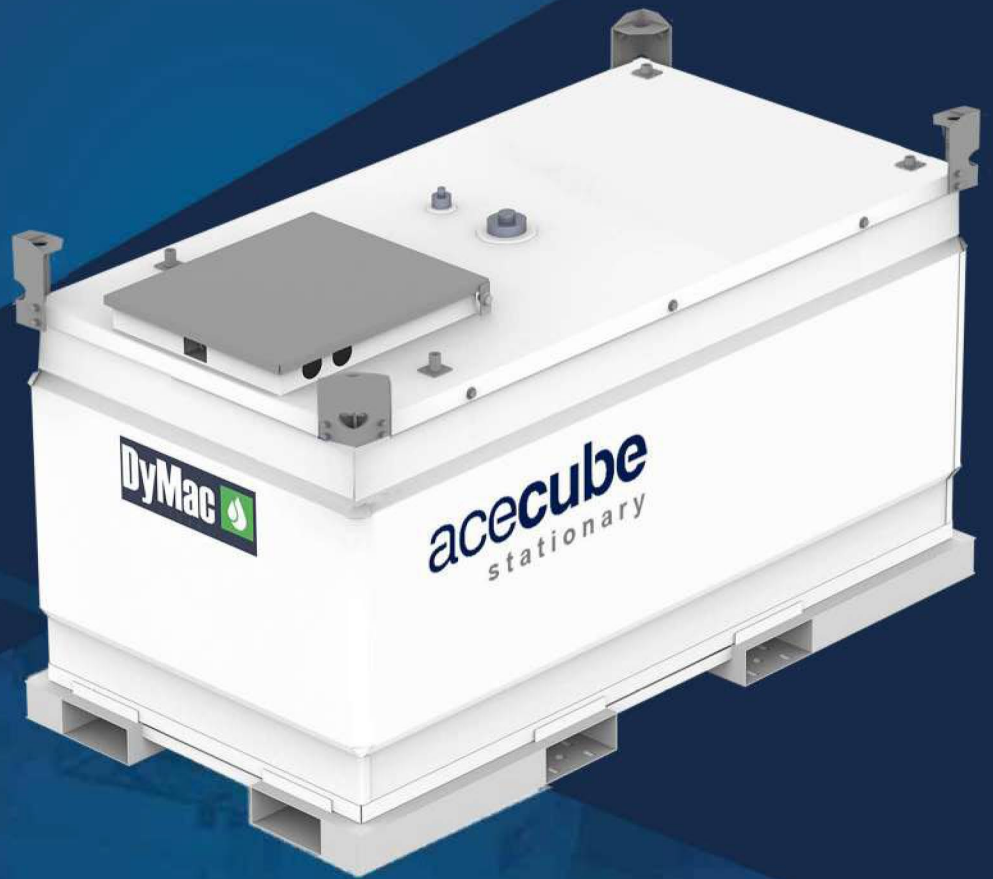




The AceCube Stationary tank range is a non-transportable cube style tank.



Available Sizes

- ✓ ACS-450L / 119G
- ✓ ACS-950L / 250G
- ✓ ACS-2000L / 528G

acecube
stationary



acecube

stationary

Enhanced Design Features

Unique Design Standard

The AceCube Stationary Tank comes complete with stacking corners. The innovative design allows the primary hatch lid to open up to a conveniently positioned component ports plate with access to an extra large equipment compartment area.

Maintenance & Environment

To ensure efficient and unencumbered cleaning, maintenance and inspection the ingenious three tier component design allows the inner tank to be completely removed and disconnected. This flexible design ensures a minimal amount of downtime and thus increases over long term ROI.

Stacking & Racking

All AceCube Stationary tank designs are “stackable and rackable” into 40ft shipping containers for worldwide transport.

Dispensing & Accessibility

The AceCube Stationary tank range comes equipped with a spacious equipment chamber which engages a bespoke universal bracket system that can support retractable hose reels, along with a variety of pumps, dispensing kits, electric and rotary hand pumps.

Stationary

The AceCube Stationary IBC bunded fuel storage tank range is a stationary cube style tank and is used for fuelling in a permanent position and should be transposed and lifted when empty only.

Truly Versatile

Take a look inside

The AceCube Stationary tank range boasts a bi-directional forklift pocket design and comes with internal baffle plates for protection against sloshing when transporting. The range has a fully removable inner tank allowing easy access during routine maintenance it comes with stacking corners that double up as lifting lugs providing total ease of maneuverability. There are conveniently positioned ports & fittings underneath the primary hatch lid that also opens up to an extra-large equipment compartment area.



Superior Features



Multiple ports that can connect upto three pieces of machinery at one time and allow dispensing simultaneously.



Automatic Dispensing Nozzle with 4M or 8ft hose and various electric pump size options.

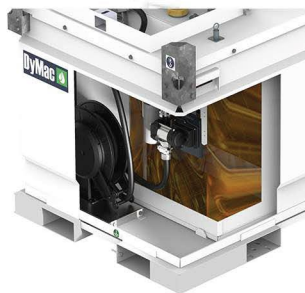


Galvanized stacking corner doubles up as a lifting bracket.

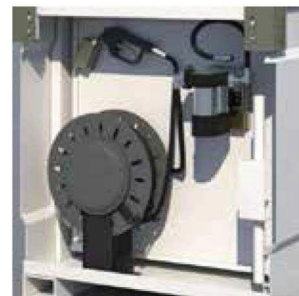
Optional Accessories



K2 Rotary hand pump with 4m or 8ft hose and dispensing nozzle.



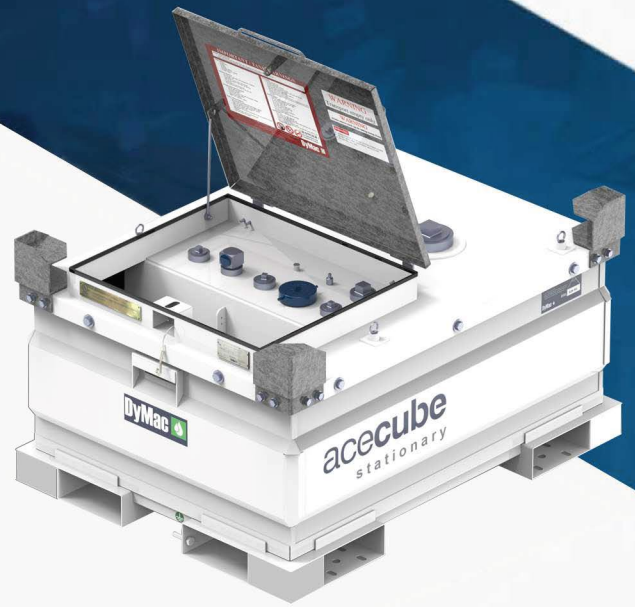
Can accommodate upto 10M or 40ft retractable hose reel mounted in the bundled equipment area.



Combined 10M / 32ft retractable hose reel option with Automatic Dispensing nozzle

Model (ACS-450L/119G)

The AceCube Stationary ACS-450L/119G is designed for the safe, secure and storage of various industrial lubricants and hazardous liquids worldwide.



Specifications

	Metric	US	Imperial
Capacity	450 Litres	119 Gallons	99 Gallons
Length	1440 mm	56 11/16"	56 11/16"
Width	1104 mm	43 8/16"	43 8/16"
Height	807 mm	31 12/16"	31 12/16"
Outer Tank Thickness	3 mm	11 Gauge	11 Gauge
Inner Tank Thickness	3 mm	11 Gauge	11 Gauge
Weight, Tare	329 kg	725 lbs, 5oz	725 lbs, 5oz
Weight, Laden	689 kg	1518 lbs, 16oz	1518 lbs, 16oz
Safe Fuel Fill Level	424 Gallons	112 Gallons	93 Gallons

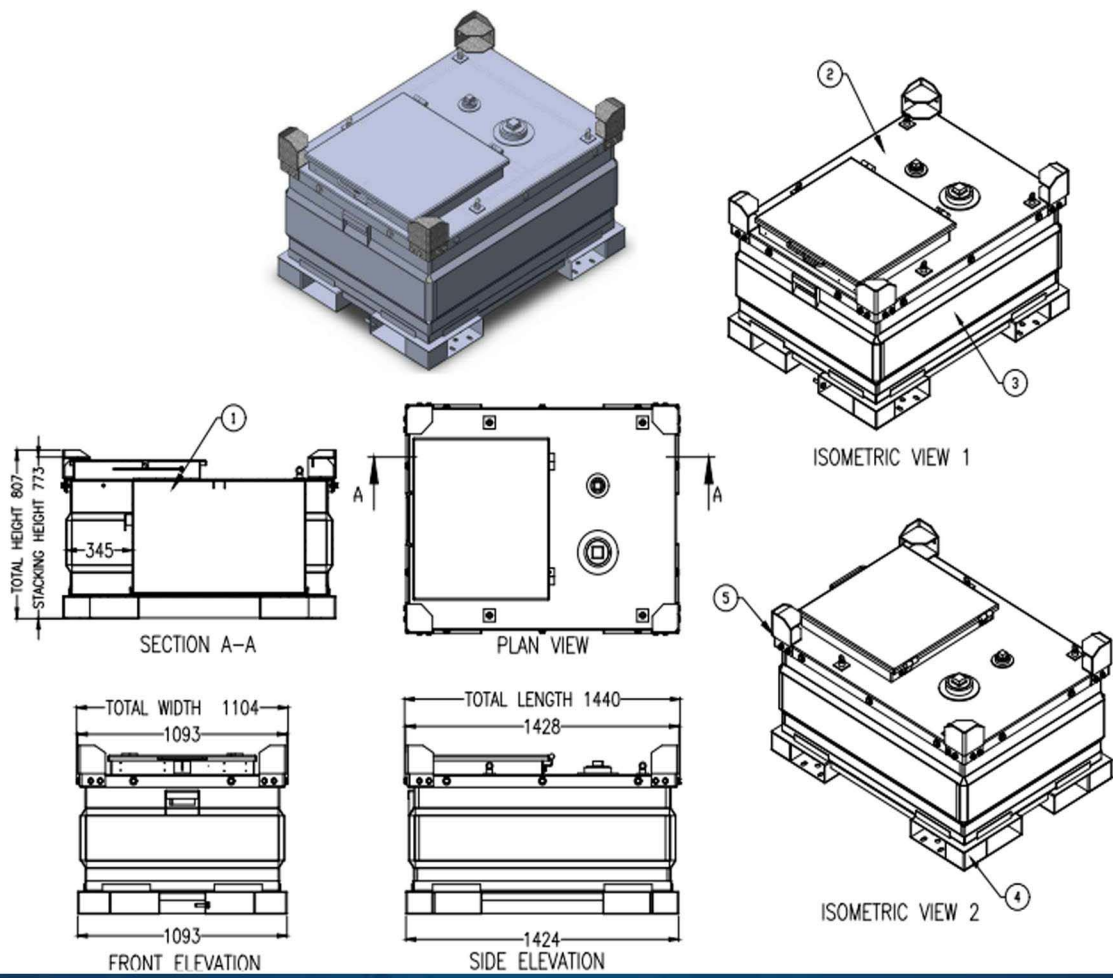
Approvals and Certifications

UK & Europe

- ✓ UL142 Compliant Design
- ✓ ULCS601 Compliant Design
- ✓ Pressure Tested

USA & Canada

- ✓ UL142 Compliant Design
- ✓ ULCS601 Compliant Design
- ✓ Pressure Tested



The range has an extra large equipment compartment area than can house a variety of accessories.



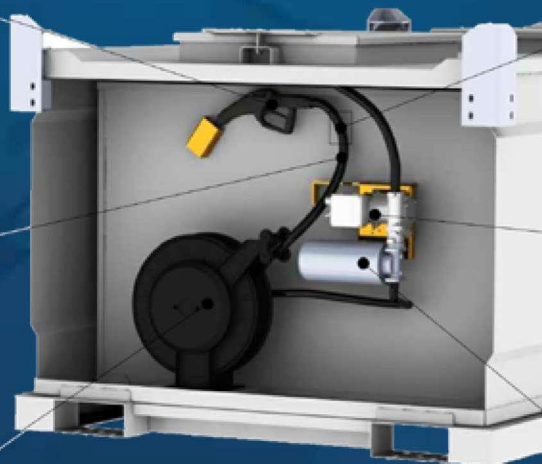
DISPENSING NOZZLE VARIATIONS



HOSES WITH ISO QUICK RELEASE COUPLERS



UP TO 10M OR 32FT RETRACTABLE HOSE REELS



DIGITAL FLOW METERS



ENGINE DRIVEN OR ELECTRIC PUMPS



IN LINE PARTIAL SEPARATION FILTERS

Model (ACS-950L/250G)

The AceCube Stationary ACS-950L/250G is designed for the safe, secure and storage of various industrial lubricants and hazardous liquids worldwide.



Specifications

	Metric	US	Imperial
Capacity	950 Litres	251 Gallons	209 Gallons
Length	1441 mm	56 11/16"	56 11/16"
Width	1106 mm	43 8/16"	43 8/16"
Height	1292 mm	50 13/16"	50 13/16"
Outer Tank Thickness	3 mm	11 Gauge	11 Gauge
Inner Tank Thickness	3 mm	11 Gauge	11 Gauge
Weight, Tare	438 kg	965 lbs, 10oz	965 lbs, 10oz
Weight, Laden	1178 kg	2597 lbs, 1oz	2597 lbs, 1oz
Safe Fuel Fill Level	870 Gallons	230 Gallons	191 Gallons

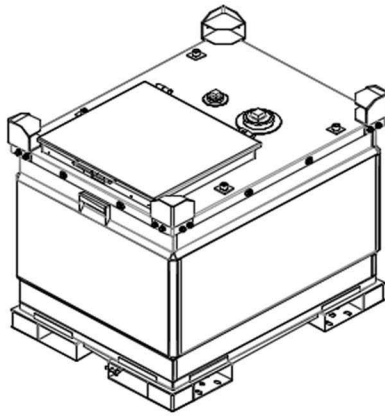
Approvals and Certifications

UK & Europe

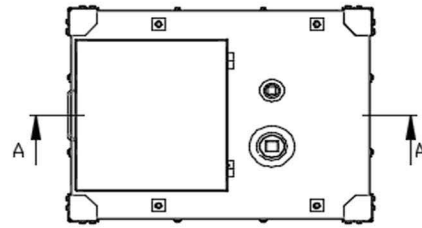
- ✓ UL142 Compliant Design
- ✓ ULCS601 Compliant Design
- ✓ Pressure Tested

USA & Canada

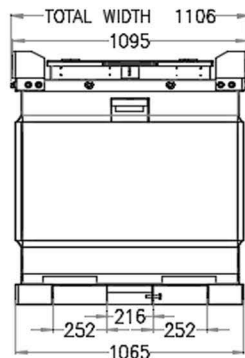
- ✓ UL142 Compliant Design
- ✓ ULCS601 Compliant Design
- ✓ Pressure Tested



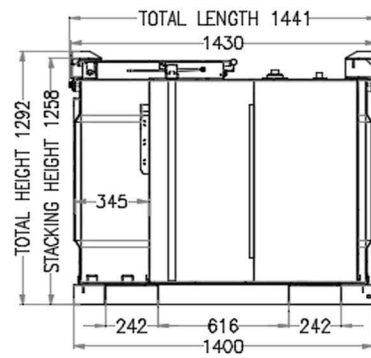
ISOMETRIC VIEW



PLAN VIEW



FRONT ELEVATION



SECTION A-A

The range has an extra large equipment compartment area than can house a variety of accessories.



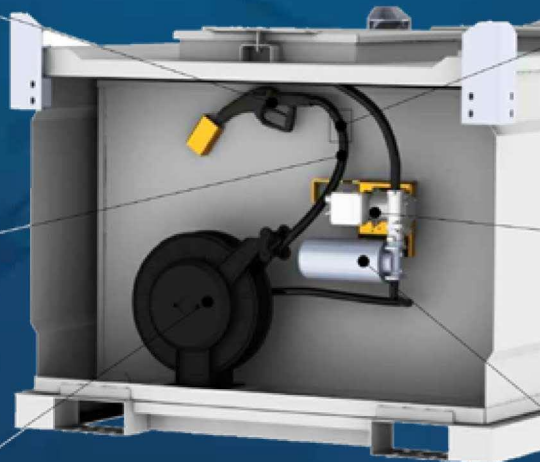
DISPENSING NOZZLE VARIATIONS



HOSES WITH ISO QUICK RELEASE COUPLERS



UP TO 10M OR 32FT RETRACTABLE HOSE REELS



DIGITAL FLOW METERS



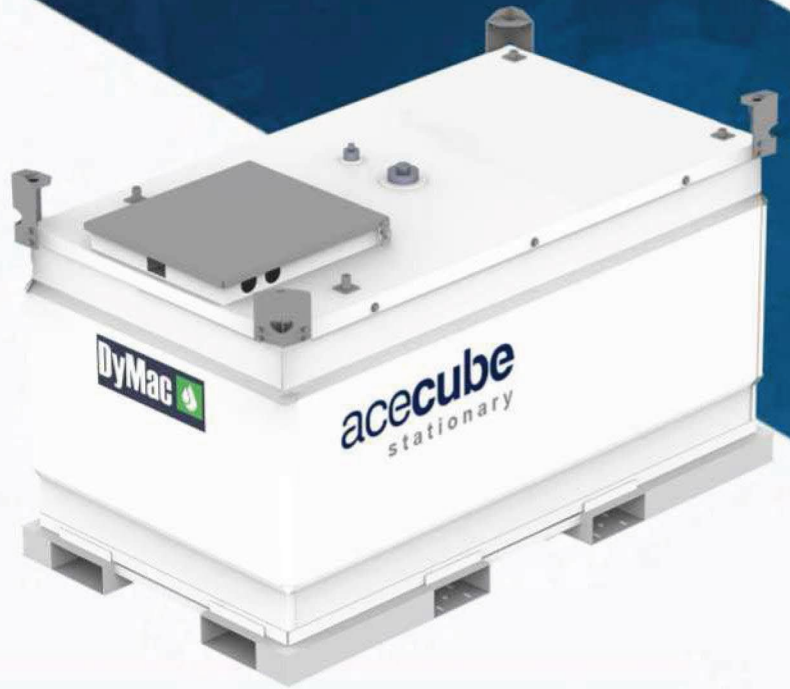
ENGINE DRIVEN OR ELECTRIC PUMPS



IN LINE PARTIAL SEPARATION FILTERS

Model (ACS-2000L/528G)

The AceCube Stationary ACS-2000L/528G is designed for the safe, secure and storage of various industrial lubricants and hazardous liquids worldwide.



Specifications

	Metric	US	Imperial
Capacity	1980 Litres	523 Gallons	435 Gallons
Length	2256 mm	88 13/16"	88 13/16"
Width	1280 mm	50 6/16"	50 6/16"
Height	1297 mm	51"	51"
Outer Tank Thickness	3 mm	11 Gauge	11 Gauge
Inner Tank Thickness	3 mm	11 Gauge	11 Gauge
Weight, Tare	675 kg	1488 lbs, 2oz	1488 lbs, 2oz
Weight, Laden	2274 kg	5013 lbs, 5oz	5013 lbs, 5oz
Safe Fuel Fill Level	1880 Litres	497 Gallons	414 Gallons

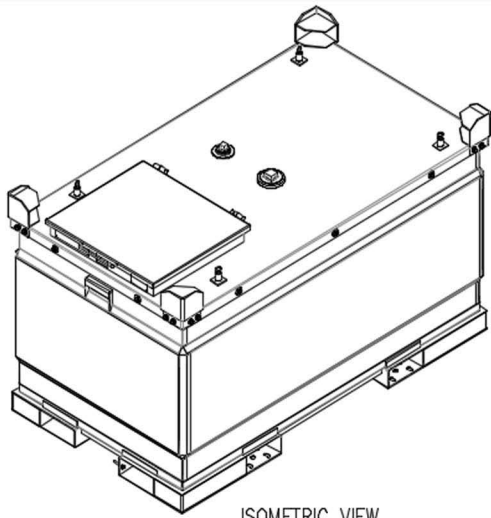
Approvals and Certifications

UK & Europe

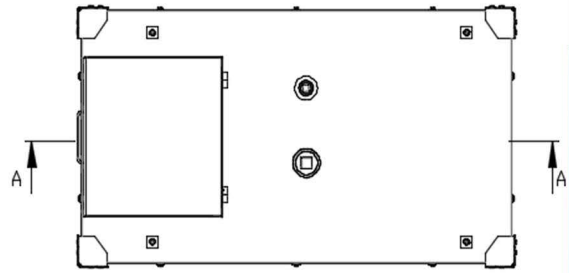
- ✓ UL142 Compliant Design
- ✓ ULCS601 Compliant Design
- ✓ Pressure Tested

USA & Canada

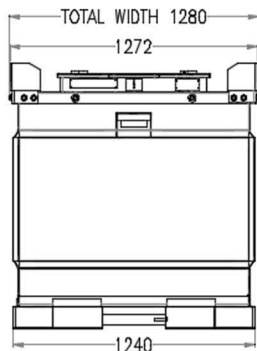
- ✓ UL142 Compliant Design
- ✓ ULCS601 Compliant Design
- ✓ Pressure Tested



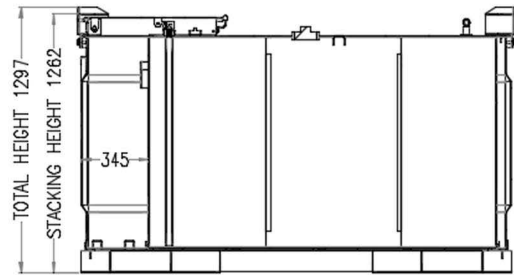
ISOMETRIC VIEW



PLAN VIEW



FRONT ELEVATION



SECTION A-A

The range has an extra large equipment compartment area than can house a variety of accessories.



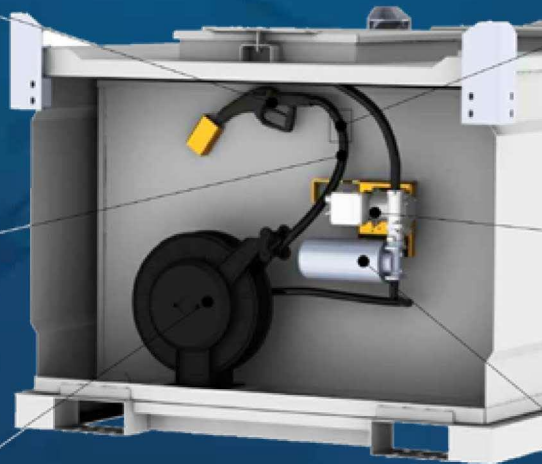
DISPENSING NOZZLE VARIATIONS



HOSES WITH ISO QUICK RELEASE COUPLERS



UP TO 10M OR 32FT RETRACTABLE HOSE REELS



DIGITAL FLOW METERS



ENGINE DRIVEN OR ELECTRIC PUMPS



IN LINE PARTIAL SEPARATION FILTERS