



KIT LUBE



PUMPS



METERS



NOZZLE METERS



NOZZLE



WASTE OIL EQ.

# FUEL & OIL FILTERS

## FEATURES

- **READY TO USE**
- **REPLACEABLE CARTRIDGE**
- **HIGH EFFICIENCY**
- **SMALL SIZE**

## PERFORMANCE

**2 $\beta$**

EFFICIENCY

**12 BAR**

PRESSURE

**5-10**

MICRON

EFFICIENCY

## EN.

The line filters with spin on cartridges are suitable to be used on both the suction and delivery side of lubricating systems. They are available in 3/4" and 1" inch fittings.



100 L/MIN FILTER WITH HEAD



## PACKAGING

CODE	PRODUCT DIMENSIONS					PACKAGING			
	A MM	B MM	C MM	D MM	F	WEIGHT KG	DIMENSIONS MM	CATRIDGE PCS/BOX	FILTER HEAD PCS/BOX
<b>FILTER FOR FUEL AND OIL</b>									
F0777200A	-	100	160	98	-	1	200X120X140	1	1
F0914900A	-	171	236	132	-	2,6	390X285X140	1	1
F09149020	-	171	236	132	-	2,6	390X285X140	1	1
F00611000	145	-	-	98	3/4" BSP	-	-	1	-
F09359000	180	-	-	132	1"1/4 BSP	-	-	1	-
F09359010	180	-	-	132	1"1/4 BSP	-	-	1	-
F16483010	139	-	-	93	-	9,2	500X300X200	15	-
F14528000	-	100	-	-	3/4" BSP	-	-	-	1
F15743000	-	171	-	-	1"1/2-16 UNF 1"1/4 BSP	-	-	-	1



FILTERING



OIL MONITORING



HOSE REEL



ACCESSORIES



MERCHANDISE



AIR



ANTIFREEZE



BIODIESEL



DIESEL



FOOD



GASOLINE



GREASE



KEROSENE



OIL



AdBlue®



WATER



WINDSCREEN

FILTERS



100 L/MIN FILTER



60 L/MIN FILTER

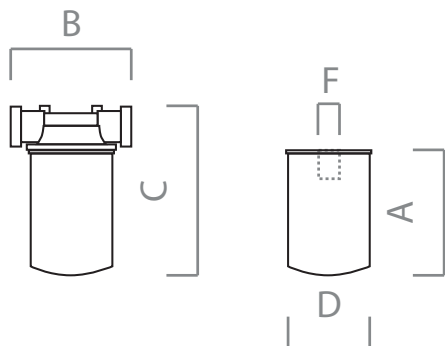
IN THE BOX

- FILTER CARTRIDGE
- INSTRUCTION MANUAL

MATERIALS

- FILTER: ABSORBENT FILTERING PAPER

DIMENSIONS



TECHNICAL DATA

CODE	DESCRIPTION	FLUIDS TYPE	FLOW RATE		INLET/OUTLET BSP	WATER ABSORBING	EFFICIENCY B	MICRO	PRESSURE BAR	
			L/MIN	GPM						
<b>FILTER FOR FUEL AND OIL</b>										
FO777200A	60 L/MIN FILTER WITH HEAD	B D G O	60	15,9	1"	NO	2	10	12	
FO914900A	100 L/MIN FILTER WITH HEAD	B D G O	100	26,4	1"	NO	2	10	12	
FO9149020	100 L/MIN FILTER WITH HEAD	B D G O	100	26,4	1"	NO	2	5	12	
FO0611000	CARTRIDGE 60 L/MIN	B D G O	60	15,9	-	NO	2	10	12	
FO9359000	CARTRIDGE 100 L/MIN	B D G O	100	26,4	-	NO	2	10	12	
FO9359010	CARTRIDGE 100 L/MIN	B D G O	100	26,4	-	NO	2	5	12	
F16483010	KIT CARTRIDGE 60 L/MIN 15 (PCS)	B D G O	60	15,9	-	NO	2	10	12	
F14528000	FILTER HEAD 3/4 BSP 60 L/MIN		-	-	1"	NO	-	-	-	
F15743000	FILTER HEAD 100 L/MIN		-	-	1"	NO	-	30	-	

FUEL&OIL FILTERS