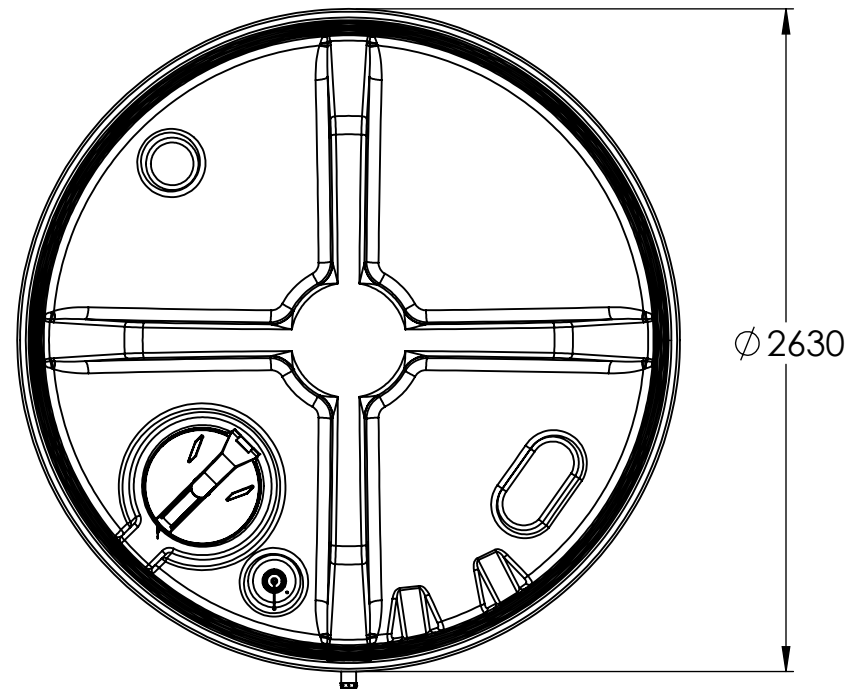
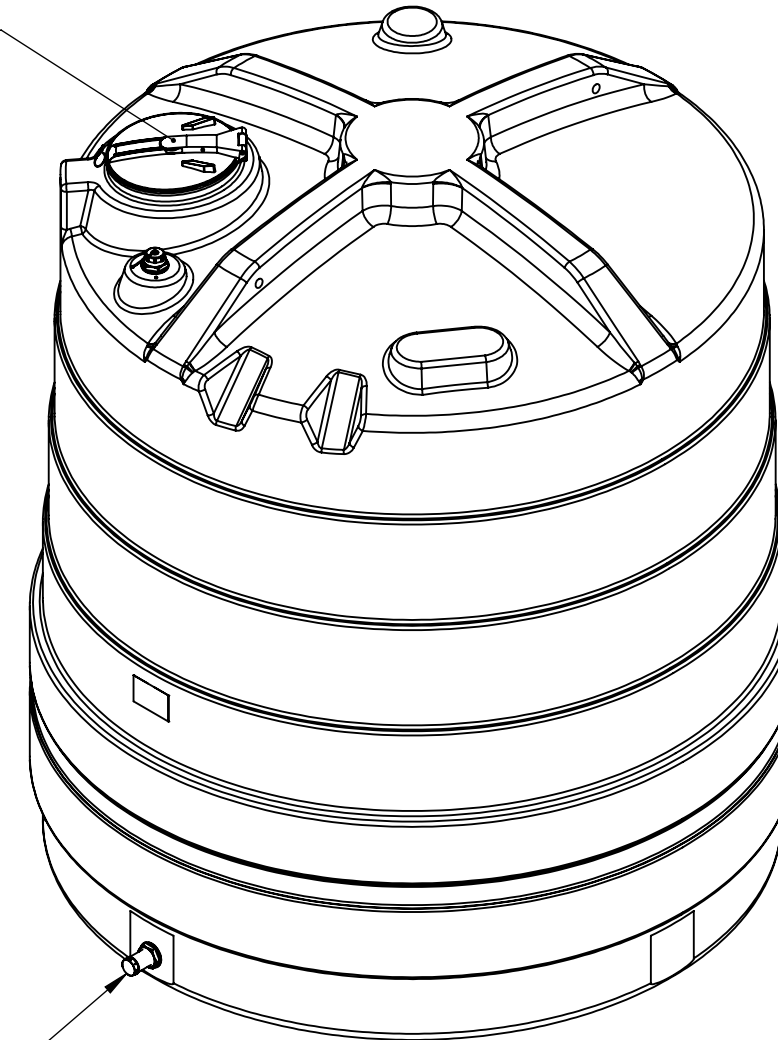


THE INFORMATION CONTAINED IN THIS DRAWING IS THE SOLE PROPERTY OF KINGSPAN WATER & ENERGY LTD. ANY REPRODUCTION IN PART OR WHOLE WITHOUT THE WRITTEN PERMISSION OF KINGSPAN WATER & ENERGY LTD. IS PROHIBITED.

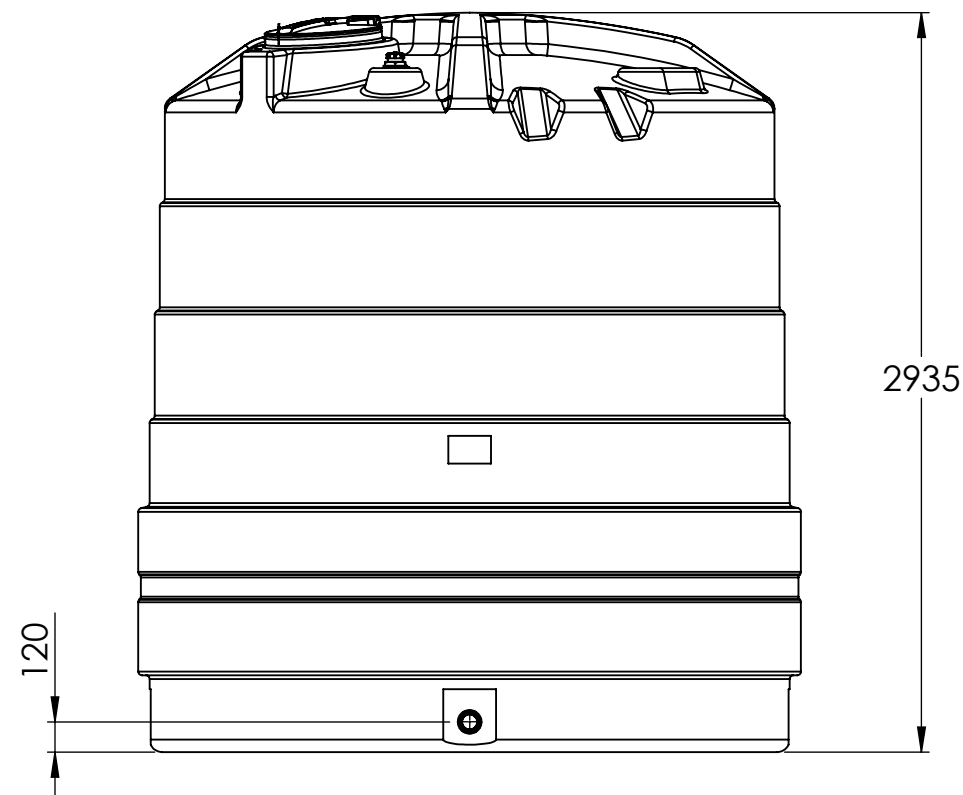
V13000WP




Lockable Inspection Lid



2" BSP OUTLET



NOTE:
1. BRIMFILL CAPACITY: 13,050 LITRES

UNLESS OTHERWISE SPECIFIED DIMENSIONS ARE IN MM. DIMENSIONS ARE SUBJECT TO MANUFACTURING TOLERANCES	DRAWN	DATE	Kingspan Water & Energy Ltd 180 Gilford Road, Portadown, Co. Armagh, BT63 5LE. TEL: +44 (0)28 3836 4500 email: Kel.Technical@kingspan.com
	OF	17 Aug 2022	
SCALE	APPROVED		V13000 WATER TANK
MATERIAL			
MASS (kg)	267		
CAD GENERATED DRAWING, DO NOT MANUALLY UPDATE 3RD ANGLE PROJECTION DO NOT SCALE DRAWING			
			SHEET 1 OF 1

Please Check with Kingspan Water & Energy Ltd For The Latest Issue Of This Drawing