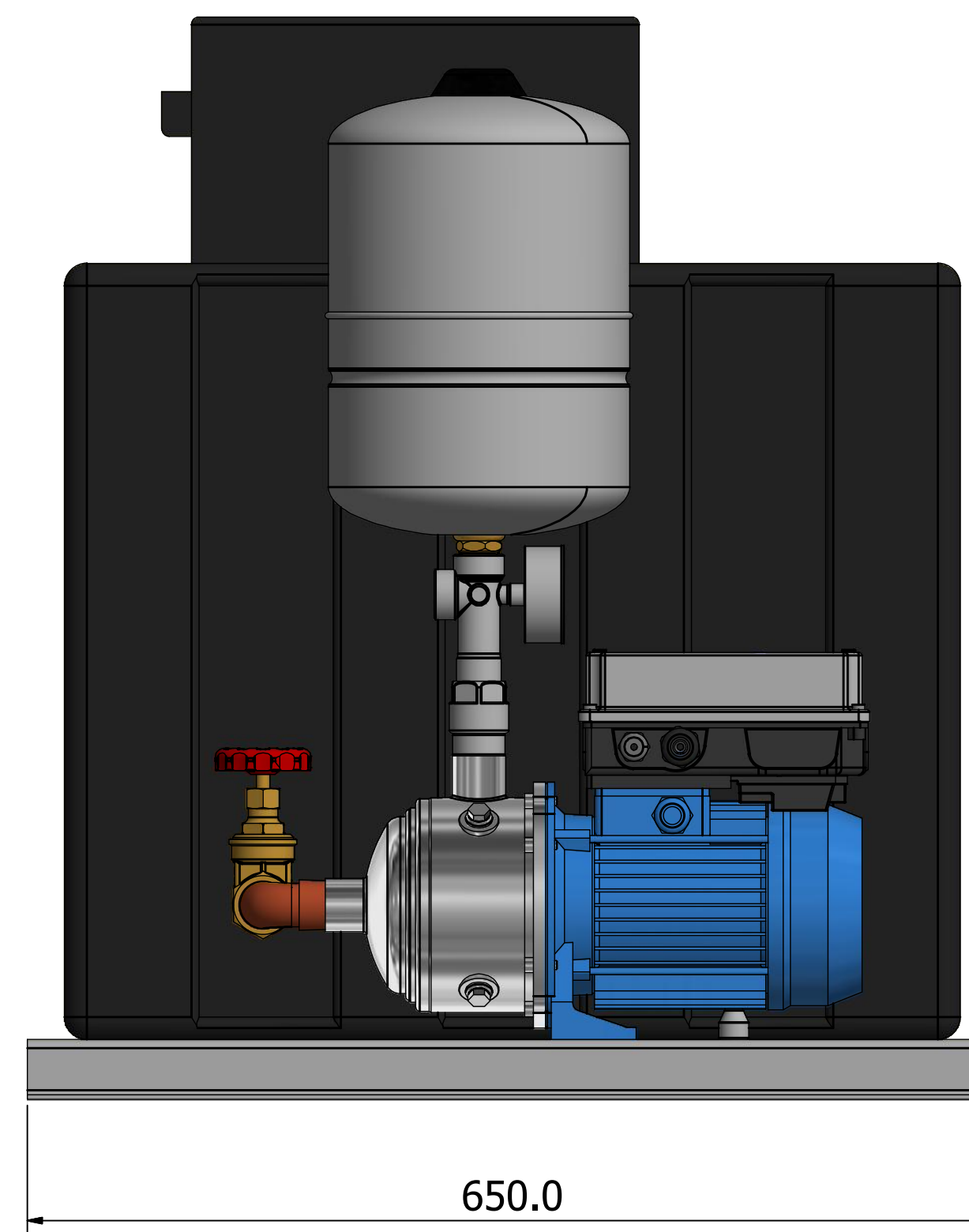
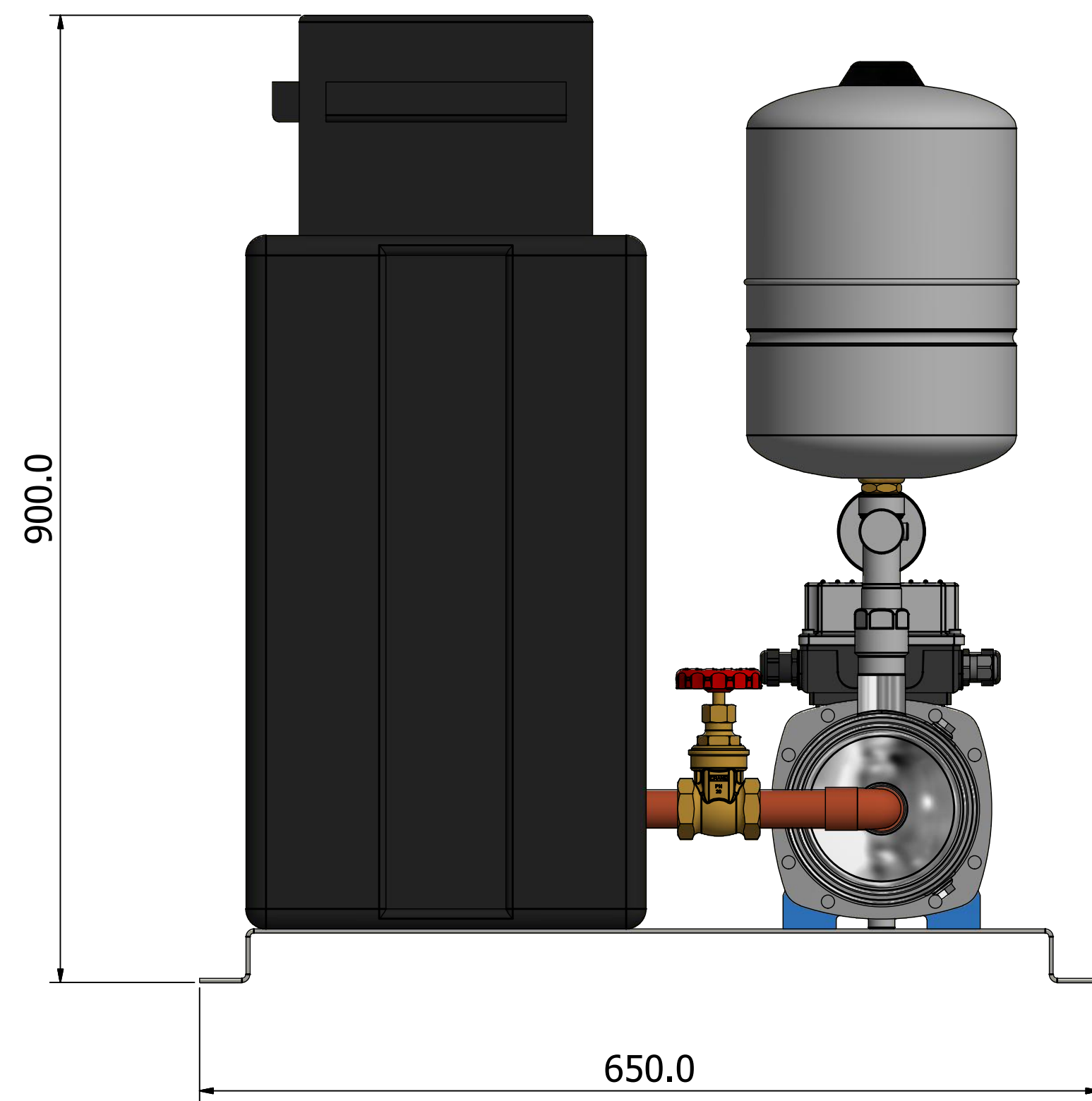
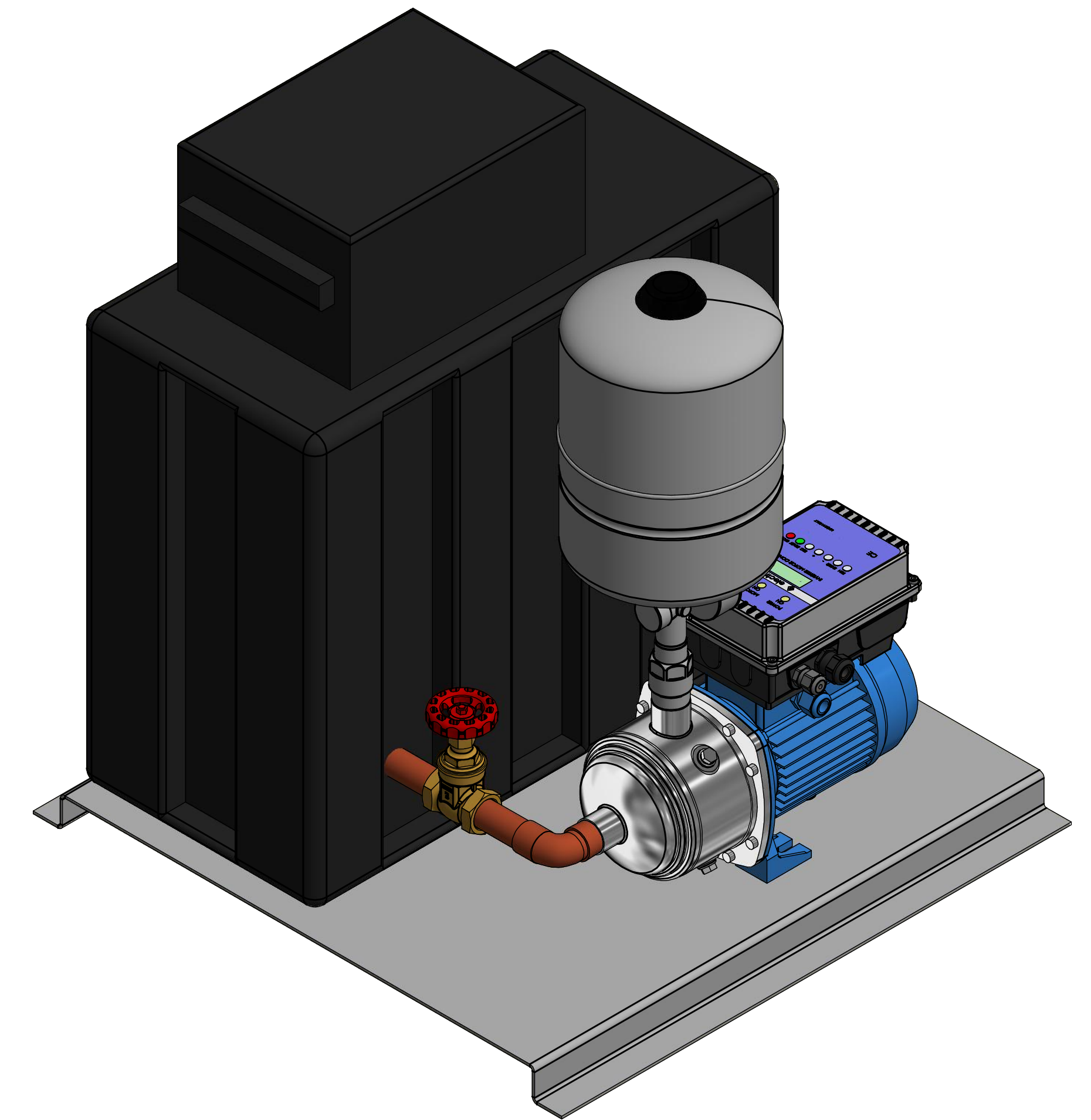



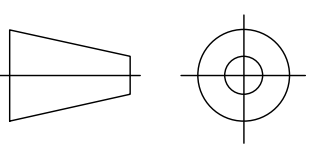
ELECTRICAL INFORMATION

ELECTRICAL SUPPLY 230v 1ph 50hZ

FULL LOAD CURRENT 4.5 AMPS

PUMP MOTOR RATING 0.65 kW



Rev	Date	Description						
THIRD ANGLE PROJECTION								
								
THIS DRAWING IS CONFIDENTIAL AND MAY NOT BE USED, COPIED OR DISCLOSED TO ANYONE WITHOUT THE PERMISSION OF D.P. & T.		PRODUCT DESCRIPTION CAT5 RANGE						
PRODUCT CODE DPT CAT5 67L		PRODUCT DESCRIPTION CAT5 RANGE						
Drawn By:	R.U.	Checked By:	J.F.	Approved By:	J.F.	REV	1	SHEET 1 OF 1
Drawn Date:	28/09/2021	Checked Date:	28/09/2021	Approved Date:	28/09/2021	SIZE	A3	SCALE 1:4