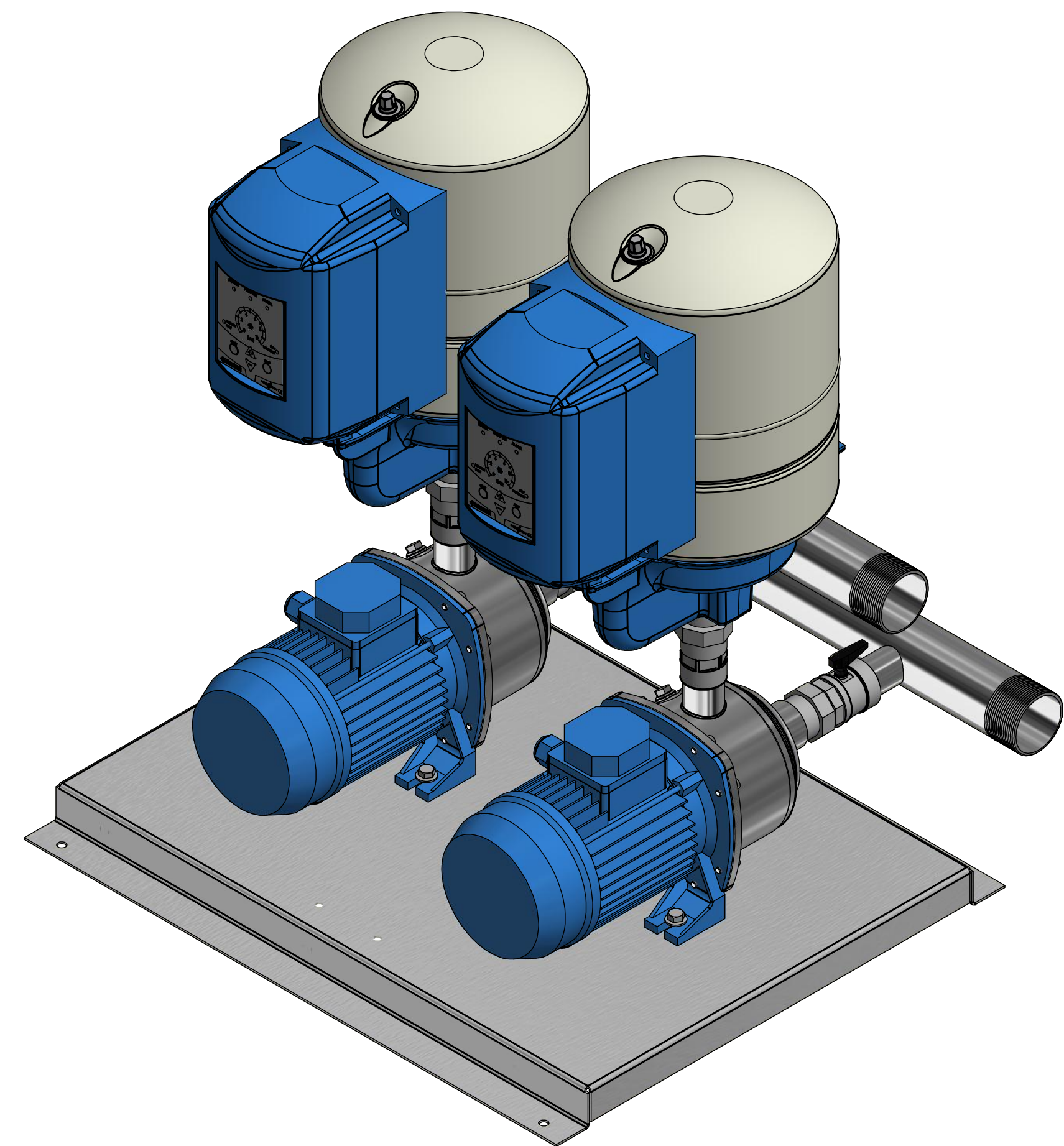
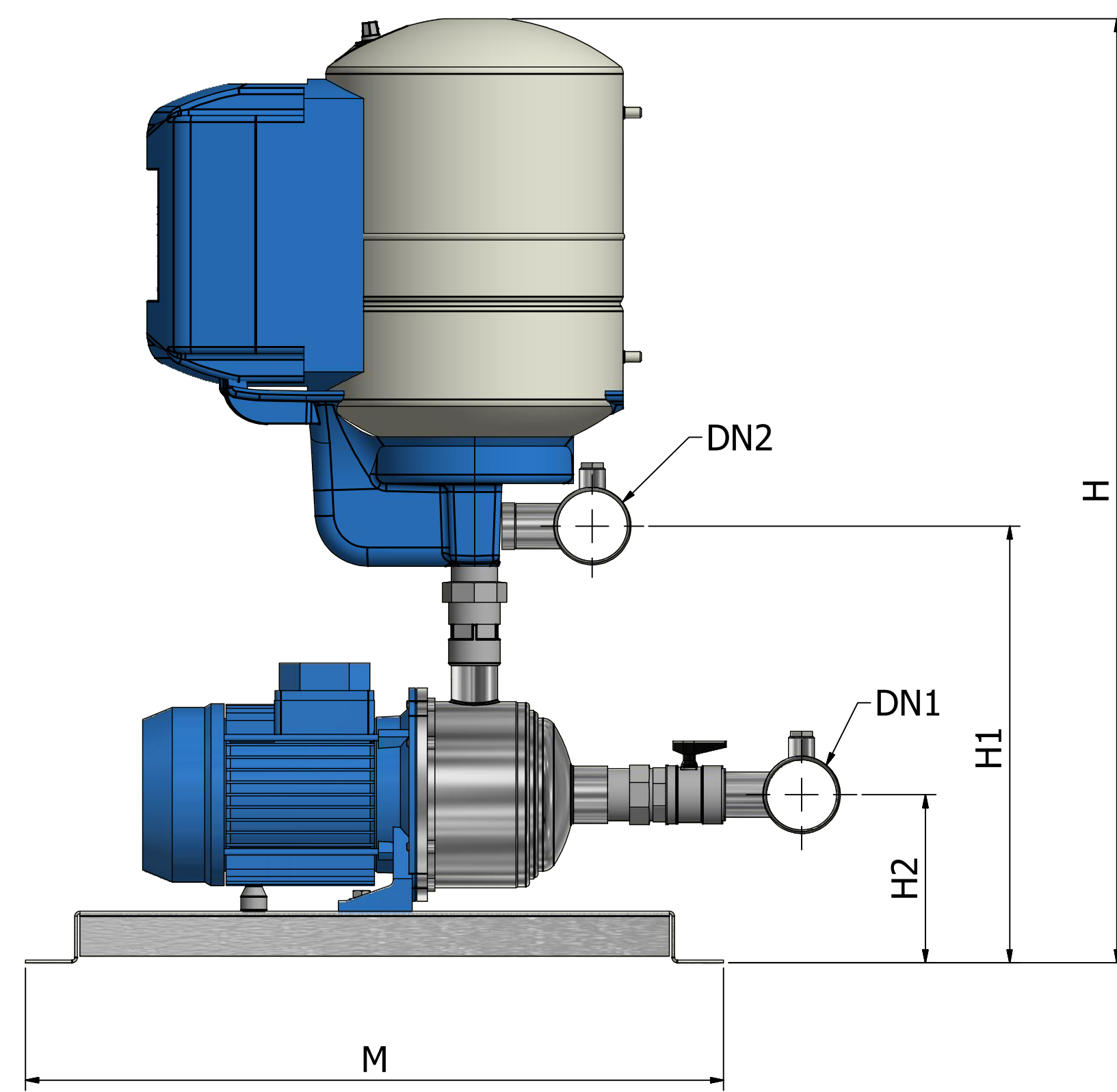
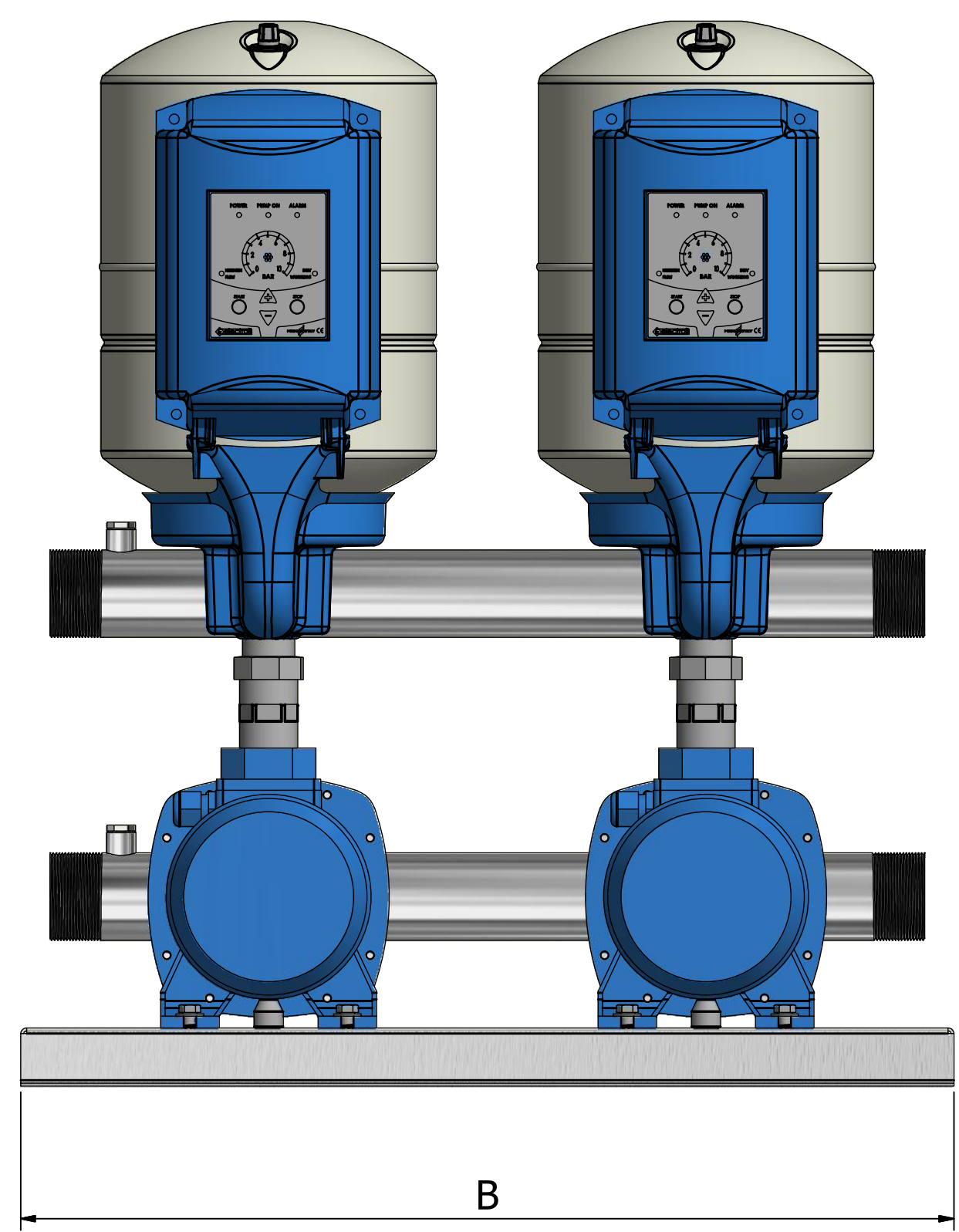


DIMENSIONS OF TWIN PUMP UNITS							
MODEL REF	DN1	DN2	B	H	H1	H2	M
2MX3-6RS/SE	2"	1.1/4"	700	800	430	140	640
2MX3-8RS/SE	2"	1.1/4"	700	800	430	140	640
2MX5-6RS/SE	2"	1.1/4"	700	800	430	140	640
2MX3-8RS/SE	2"	1.1/4"	700	800	430	140	640
2MX10-04RS/SE	2"	1.1/4"	700	800	430	140	640
2MX10-06RS/SE	2"	1.1/4"	700	800	430	140	640



Rev	Date	Description
THIRD ANGLE PROJECTION		
<p>THIS DRAWING IS CONFIDENTIAL AND MAY NOT BE USED, COPIED OR DISCLOSED TO ANYONE WITHOUT THE PERMISSION OF D.P. & T.</p>		
<p>PRODUCT CODE SEE TABLE</p>		<p>PRODUCT DESCRIPTION FLYVAR SE TWIN SERIES</p>
Drawn By:	R.U.	Checked By: C.W.
Drawn Date:	23/05/2022	Checked Date: 23/05/2022
Approved By:	C.W.	REV 1
Approved Date:	23/05/2022	SIZE A3
SHEET 1 OF 1		SCALE 1:4