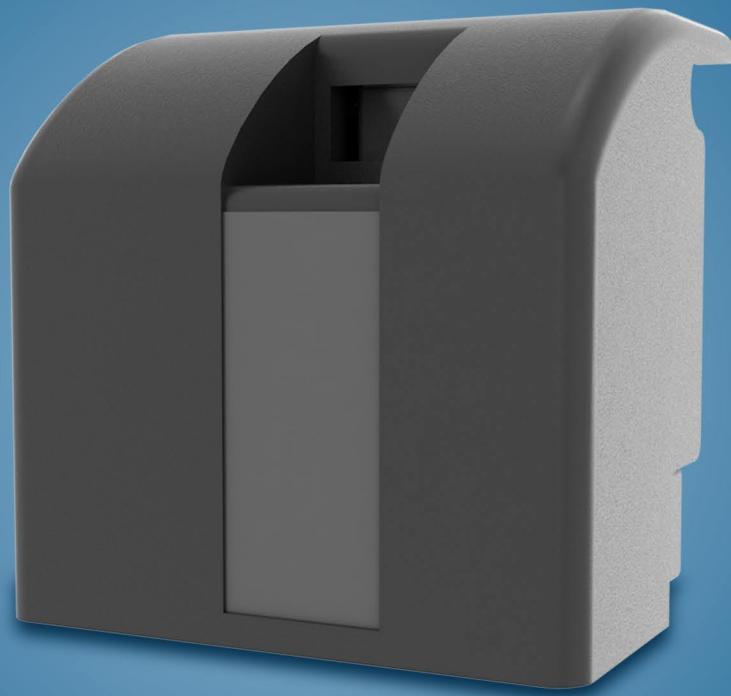




THE DPT MINI CAT 5 INSTALLATION MANUAL



PREFACE

You have purchased a high quality product and we hope you enjoy shopping. In order to use your shopping for a longer time, we ask you to read the installation instructions and the operating instructions carefully.

The product was tested in our test procedure under all operating conditions. This means that you have purchased a working product. In the unlikely event that a fault occurs, contact us on 0115 9444474 or enquiries@dpandt.co.uk

WARRANTY

The warranty period is 24 months after purchase of this product.

Within the warranty period, we provide new parts free of charge in the event of faults. This only applies to faults that are due to manufacturing and / or material defects. This means that despite the instructions, the efficient use and the user manual, errors continue to occur.

We are committed to maintaining our on-site service conditions. You will be informed via a service request form. This form must be signed and returned to our service department.

GENERAL INFORMATION

- The system must be connected inline with current regulations such as DIN1988, DIN 1986, NEN 1010 and DIN EN 1717
- The user is responsible for all actions:
 - the right installation,
 - to respond to threats due to improper use.
- The DPT Mini Cat 5 is approved for use in category 5 AB water applications
- 230 Volt 50 Hertz alternating current,
- Up to a maximum water temperature of 35 ° C
- Suitable for residential, commercial and industrial buildings as well as small businesses.

PROTECTIVE MEASURES

- Mount the device in a dry, frost-free room in a room with a floor drain, eg. Scrub pits, at least 40 cm below the ceiling, measured from the top of the unit.
- The user must strictly comply with national accident prevention measures.
- The applicable national and EU regulations for the electrical installation have been observed in the current version. The electrical installation was approved by experts.
- The plug must be freely accessible
- The plug may only be plugged into the socket if the device has been installed correctly and complies with the applicable regulations.
- All connections have been tested for water resistance.
- During maintenance work on the DPT Mini Cat 5 the plug must be disconnected from the mains.
- All maintenance, installation or modification of the DPT Mini Cat 5 and its live components can result in death or serious injury.
- Protect the power source with a RCCB (30 mA).
- The user may not carry out interventions on his own initiative that are not described in the user and installation instructions.

CONSIDERATIONS

Failure to follow the installation instructions and instructions for use may not constitute a guarantee.

The right to warranty or liability expires if the device is unscrewed, unless otherwise agreed. Read carefully before use, comply with all safety regulations and save this document for future use.

This installation manual contains important points for attention and recommendations.

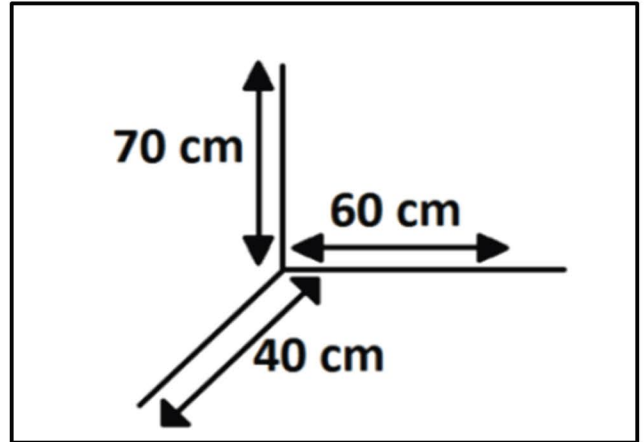
This document is subject to technical changes as needed, it is recommended you check for the latest version before commencing work.

DPT MINI CAT 5

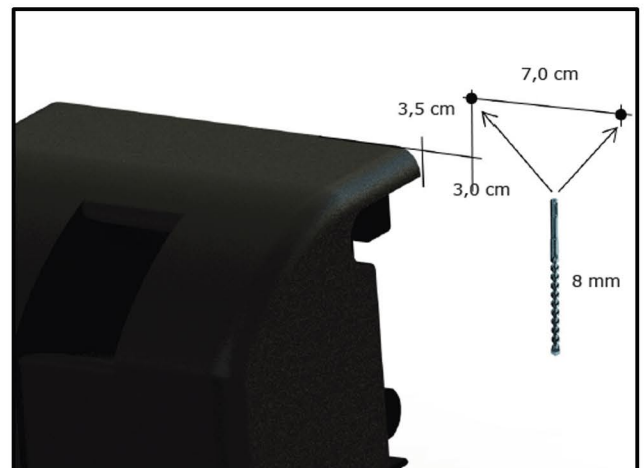
CONTENTS

The DPT Mini Cat 5 system comes with the following components as standard:-

- 1) 1x Mini Cat 5
- 2) 1x pressure tank 8 liter
- 3) 1x Float switch bracket
- 4) 3x Ring M6
- 5) 1x supplied ball valve
- 6) 2x Flexible hose
- 7) 2x Bolts
- 8) 1x mounting bracket
- 9) Vlotter 50x50
- 10) 3x Nylon plug M8
- 11) 6x fiber rings



Mark the first drill point at 3 cm at the right and 3.5 cm above of the system, mark the second drill point 7 cm at the right of drill point 1 (at the same height). Use an 8mm drill and approx. 5 cm deep.

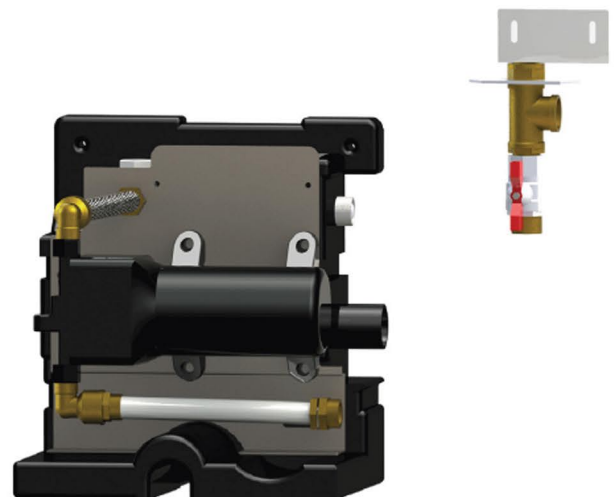


Insert the supplied plugs in the drilled holes and mount the mounting bracket on the wall. Use the supplied bolts.

INSTALLATION INSTRUCTIONS

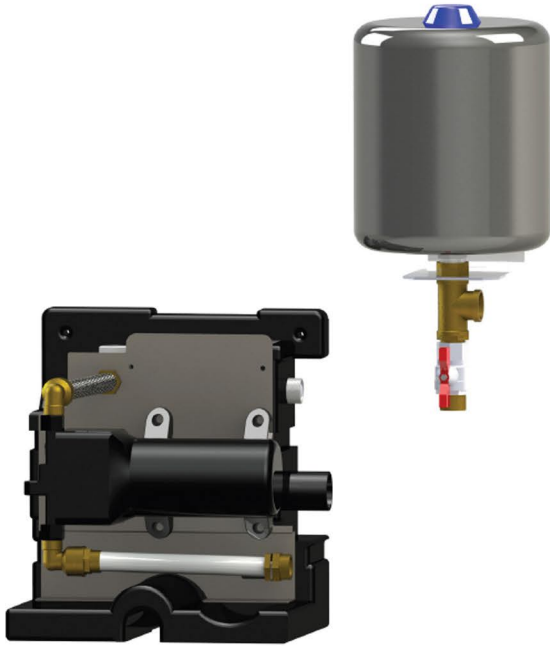
Place the system on the ground and ensure there is sufficient space for LxWxH of 60x40x70 cm.

Caution! All connections are on the right side of the system



INSTALLATION INSTRUCTIONS CONTINUED

Mount the pressure tank at the top side of the mounting bracket. Make sure the connection is water tight by using hemp or other sealing material.



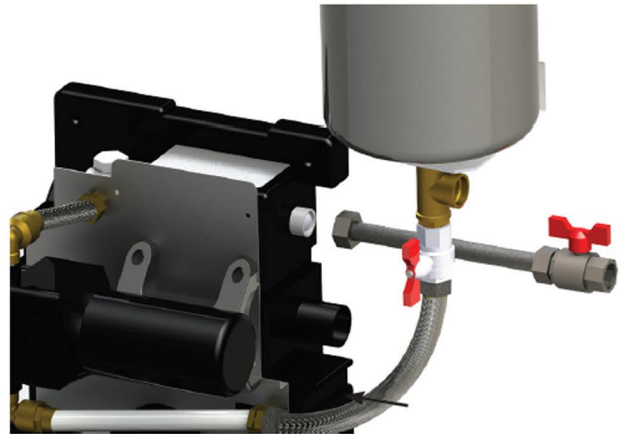
Mount the 3/4" flexible hose on the connection of the pressure side of the pump (bottom connection). Then, mount the other side of the flexible hose at the bottom side of the mounting bracket. Use the fiber rings for a water tight seal.



Mount the second 3/4" flexible hose on the supplied ball valve. Use the fiber rings for a waterproof seal.



Mount the other side of the flexible hose on the drinking water supply of the system (middle connection). Use the fiber rings for a waterproof seal.



Connect the 3/4" F connection on the T-piece under the pressure tank on the secondary water network. Once all the pipings are connected water proof, you can continue commissioning.



DPT