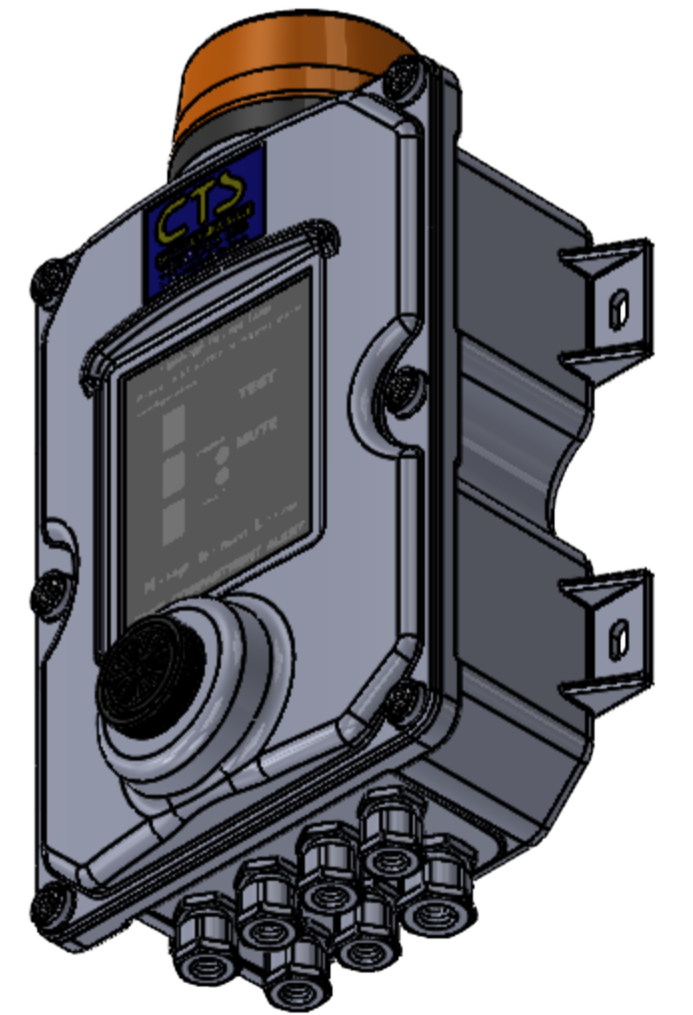
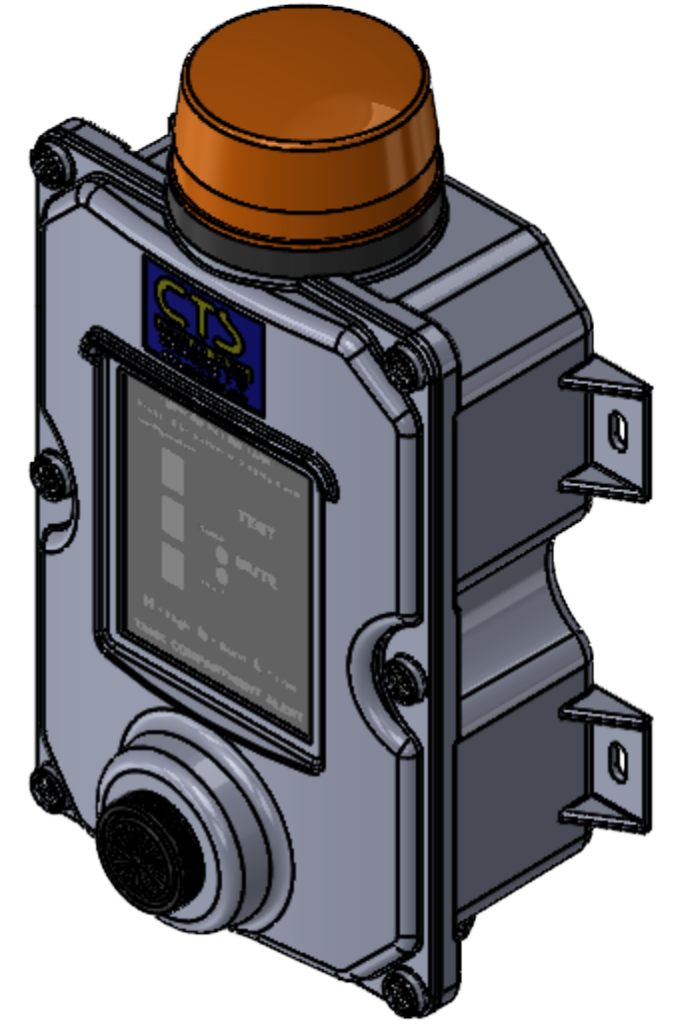
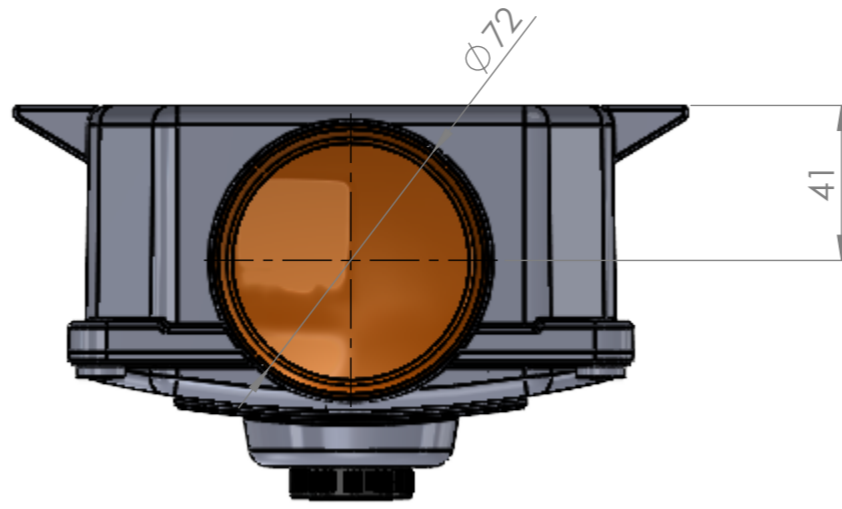
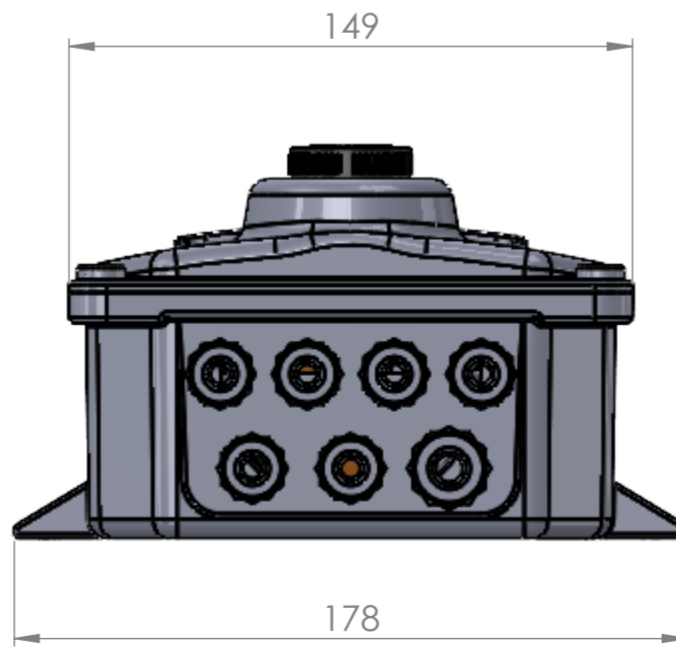
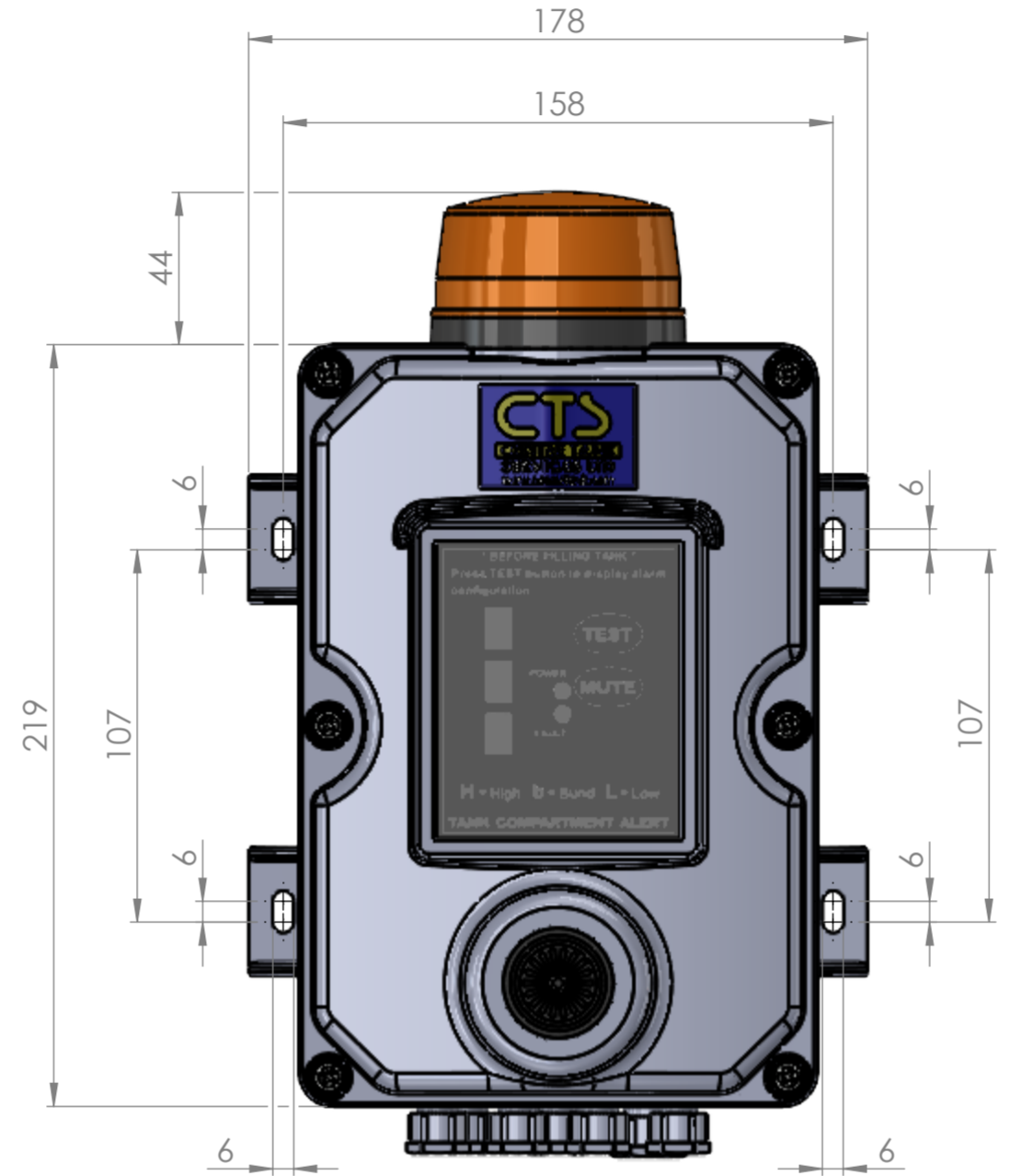
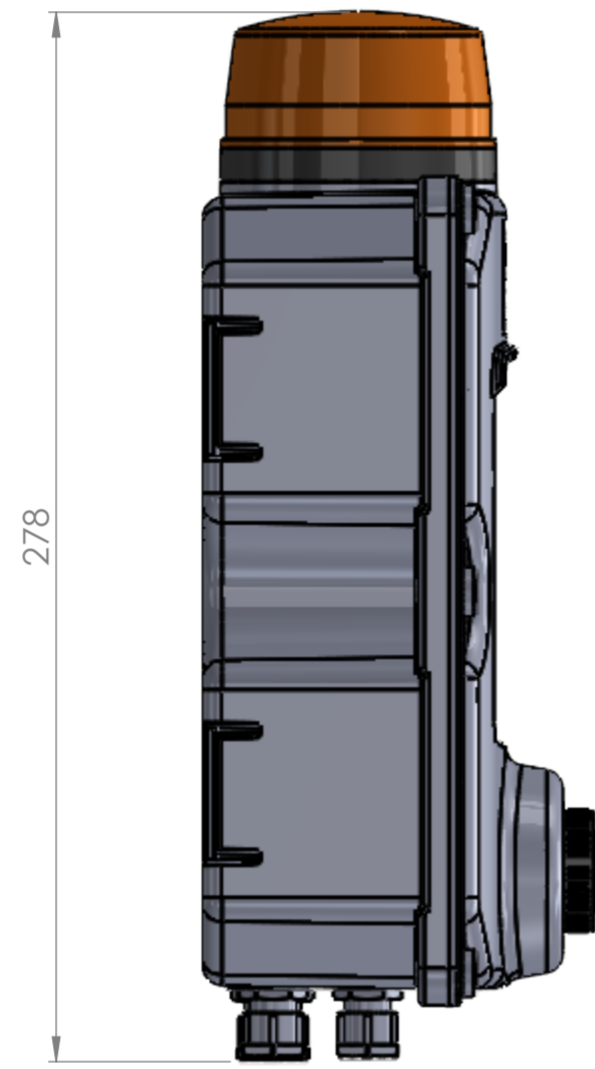
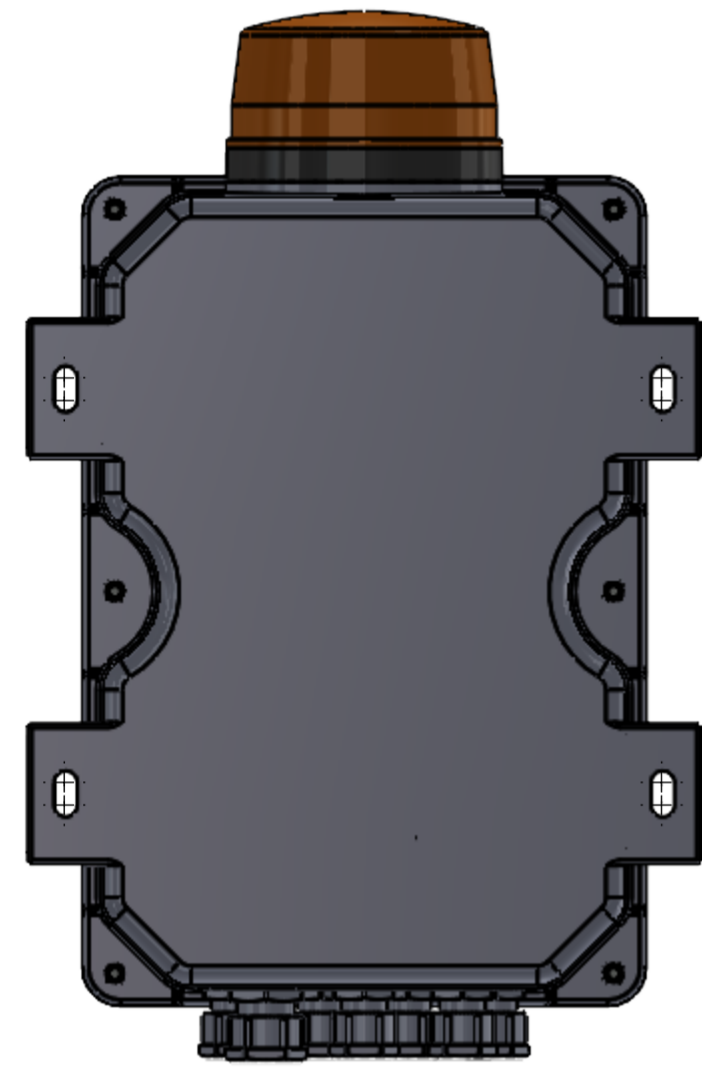


THIRD ANGLE PROJECTION



01	ORIGINAL ISSUE	01.10.23	
ISSUE	MODIFICATION	DATE	ECR No.

SYMBOLS & ABBREVIATIONS

//	PARALLEL
⊥	PERPENDICULAR
◎	CONCENTRIC
⊘	CENTRE LINE
P.C.D.	PITCH CIRCLE DIAMETER

TOLERANCES:
 LINEAR: X ±0.5
 0.X ±0.2
 0.XX ±0.1
 ANGULAR: ±0.5 DEG

DRAWN	NAME	DATE
CHKD	R.P.	01.10.23

DO NOT SCALE DRAWING
 DIMENSIONS IN MILLIMETRES

FINISH: DEBUR AND BREAK SHARP EDGES

MATERIAL: DWG NO. SCALE:1:2 SHEET 1 OF 1

TITLE: CTS TANK ALARM HOUSING - ASSEMBLY

SHEET SIZE A2