



DISPENSERS



PUMPS



METERS



NOZZLE



FILTRATION



FLUID
MONITORING

K600/3

FEATURES

- ADJUSTABLE FLANGES
- SUITABLE FOR INDUSTRIAL APPLICATIONS
- IDEAL FOR MOBILE INSTALLATIONS
- LOW ENERGY CONSUMPTIONS

The PIUSI K600/3 is an oval gear meter suitable for monitoring the delivery of diesel, oil and antifreeze. The meter is equipped with an integrated filter and is also available in pulser version.

PERFORMANCE

UP TO

100 L/MIN

FLOW-RATE

0,2%

REPEATIBILITY

± 0,5%

ACCURACY



K600/3 METER



K600/3 PULSER

PACKAGING

CODE	WEIGHT		PACKAGING		
	KG	LBS	MM	INCH	PCS/BOX
METERS					
FOO496A00	1,6	3,5	200X120X140	79X4,7X5,5	1
PULSER					
FOO472A00	2,6	5,7	200X120X140	79X4,7X5,5	1



HOSE REELS



ACCESSORIES



MERCHANDISE



AIR



ANTIFREEZE



AdBlue®



BIODIESEL



DIESEL



FOOD



GASOLINE



GREASE



KEROSENE



OIL



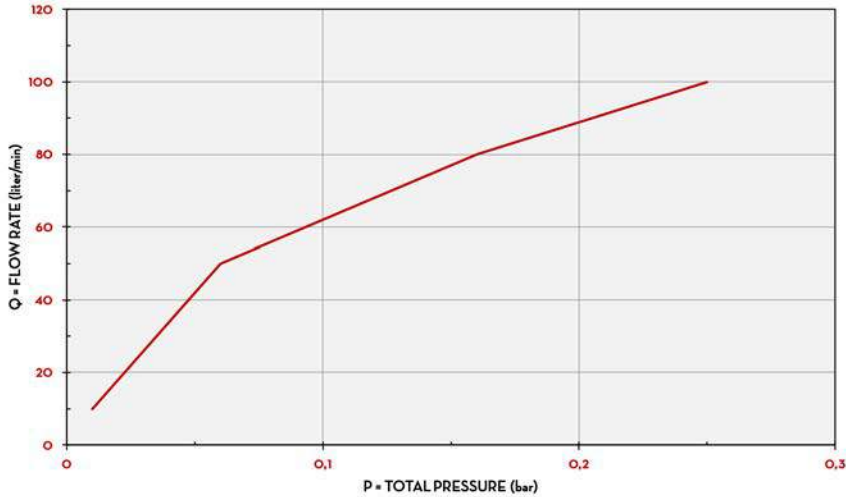
WATER



WINDSCREEN

CHART

K600/3



TYPE OF FLUID DIESEL

TEMPERATURE 4 °C

IN THE BOX

- K600/3 METER
- FLANGES
- INSTRUCTION MANUAL

DETAILS

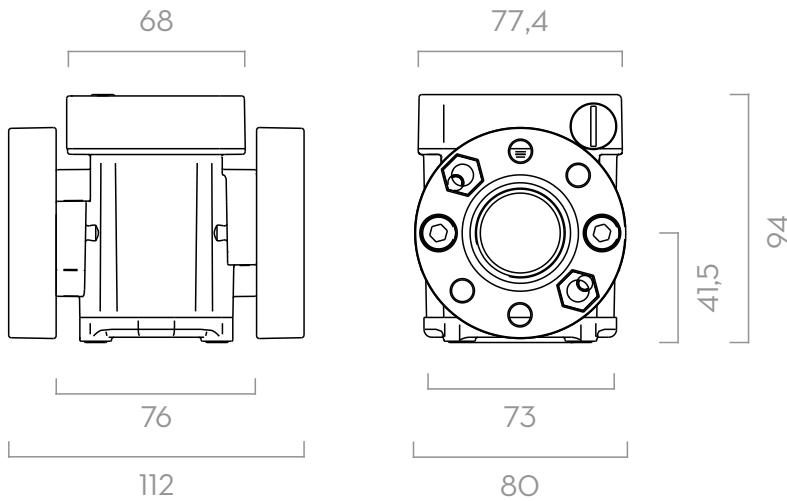


5-DIGIT DISPLAY



OVAL GEARS

DIMENSIONS



Dimensions expressed in millimeters

MATERIALS

- BODY: ALUMINIUM
- GEARS: TECHNOPOLYMER

TECHNICAL DATA

CODE	DESCRIPTION	FLUIDS TYPE	FLOW-RATE		PRESSURE		BATTERY N°2 X 1,5V (INCLUDED)	FLANGE	INLET / OUTLET	INLET FILTER
			L/MIN	GPM	BAR	PSI				
METERS										
FOO496A00	K600/3 DIESEL		10 - 100	2,64 - 26,4	30	426	YES	YES	1" BSP	YES
PULSER										
FOO472A00	K600/3 1" DIESEL		10 - 100	2,64 - 26,4	30	426	NO	YES	1" BSP	YES

UPON REQUEST AVAILABLE IN NPTF VERSION AND DISPLAY IN GALLON/QUARTER OR PRINT

K600/3