



FUEL MANAGEMENT SYSTEMS



DISPENSERS



KITS



PUMPS



METERS



NOZZLES

A60 / A80 / A120 / A140

FEATURES

- AUTOMATIC
- READY TO USE
- STURDY DESIGN

Among the range of nozzles for fuel dispensing, PIUSI A60/A80/A120/A140 consist of a range of automatic devices for flow rates up to 120 l/min fitted with an inner device that automatically stops the fluid dispensing when the tank is full. These nozzles also include a swivel connector.

PERFORMANCE

UP TO 140 L/MIN	1" BSP
FLOW-RATE	INLET
A60 24MM	A80/A120/A140 29MM
SPOUT	SPOUT



A60



A80



A120



A140



PACKAGING

CODE		WEIGHT		PACKAGING			BOXES/EUROPALLET	
WITHOUT SWIVEL	WITH SWIVEL	KG	LBS	MM	INCH	PCS/BOX		
A60								
-	FOO603060	1,25	2,76	36OX36OX280	14X14X11	1	-	-
-	FOO602020	1,20	2,65	36OX36OX280	14X14X11	1	-	-
-	FOO613A00	1,30	2,87	36OX36OX280	14X14X11	1	-	-
-	FOO870010	1,70	3,74	36OX36OX280	14X14X11	1	-	-
-	FOO602030	1,25	2,76	36OX36OX280	14X14X11	1	-	-
A80								
-	FOO604030	1,93	4,25	36OX36OX280	14X14X11	1	-	-
A120								
-	FOO610020	1,93	4,25	36OX36OX280	14X14X11	1	-	-
-	FOO614A00	1,65	3,64	36OX36OX280	14X14X11	1	-	-
A140								
-	FOO610200	2,00	4,41	46OX200X80	181X78X31	1	-	-



FILTRATION



TANK MONITORING



HOSE REEL



ACCESSORIES



MERCHANDISE



AIR



ANTIFREEZE



AdBlue®



BIODIESEL



DIESEL



FOOD



GASOLINE



GREASE



KEROSENE



OIL

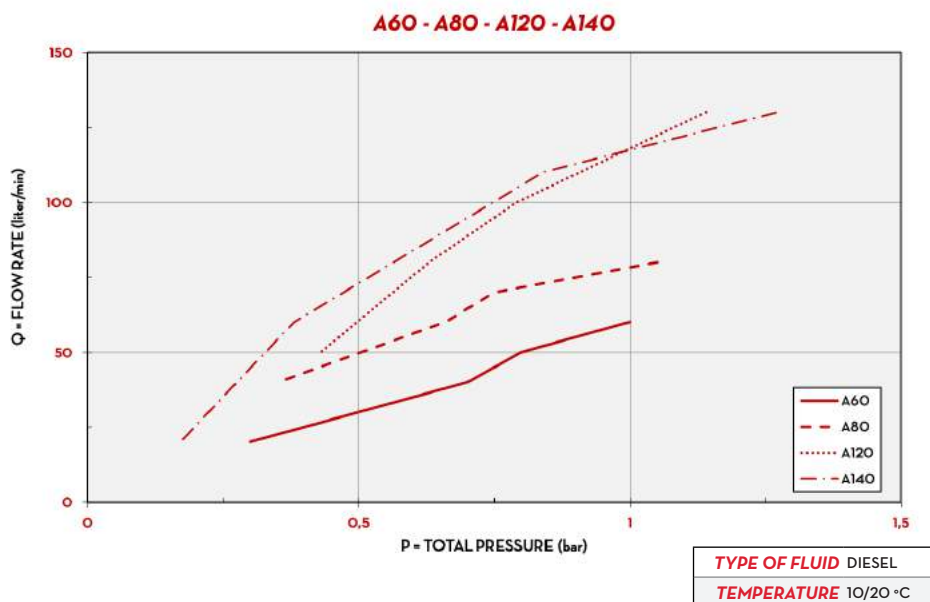


WATER



WINDSCREEN

CHART



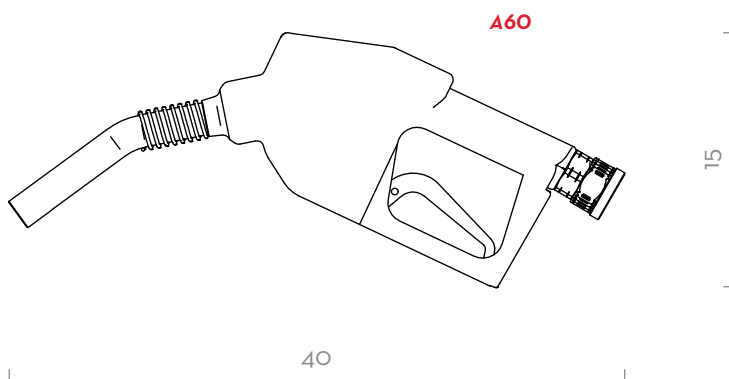
IN THE BOX

- A60/A80/A120/A140 NOZZLE
- INSTRUCTION MANUAL

DETAILS



DIMENSIONS



MATERIALS

- BODY: ALUMINIUM
- SEAL: VITON

Dimensions expressed in millimeters

TECHNICAL DATA

CODE		DESCRIPTION	FLUIDS TYPE	FLOW-RATE		INLET		SPOUT
WITHOUT SWIVEL	WITH SWIVEL			L/MIN	GPM	WITHOUT SWIVEL BSP	WITH SWIVEL BSP	EXT. Ø MM
A60								
-	FOO603060	A60	D G	60	16	F3/4"	F1"	20
-	FOO602020	A60 UNLEADED	D G	60	16	F3/4"	F1"	20
-	FOO613A00	A60 - EN 13012	D	70	19	F3/4"	F1"	24
-	FOO870010	A60 + K24 PLASTIC BLACK	D	70	19	-	F1"	24
-	FOO602030	AUTOMATIC NOZZLE RAPSOIL	B	60	16	F3/4"	F1"	24
A80								
-	FOO604030	A80	D G	90	24	F1"	F1"	29
A120								
-	FOO610020	A120	D G	120	32	F1"	F1"	29
-	FOO614A00	A120 - EN 13012	D	120	32	-	F1"	29
A140								
FOO610200	-	AUTOMATIC NOZZLE A140 1" BSP BLACK	D	140	37	F1"	-	28,7

A60 / A80 / A120 / A140