

Ø50mm or Ø63mm
MDPE Outlet

Manhole Cover

Union to allow
Pump removal

Non Return Valve

Isolation Valve

Discharge Pipe

Pump Lifting Chain

Assist Float

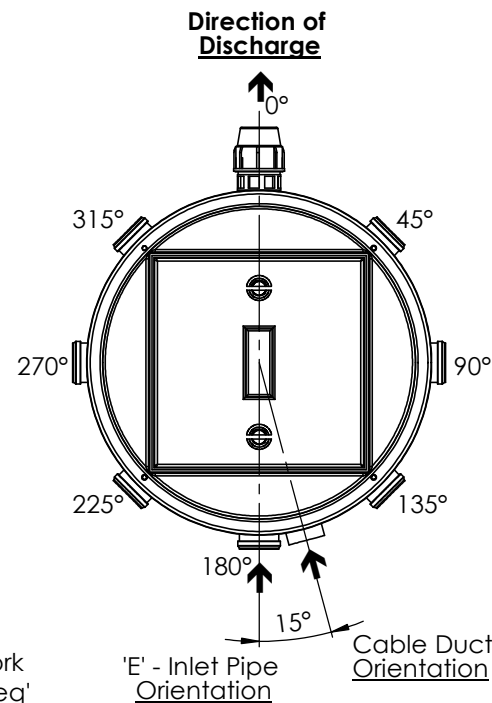
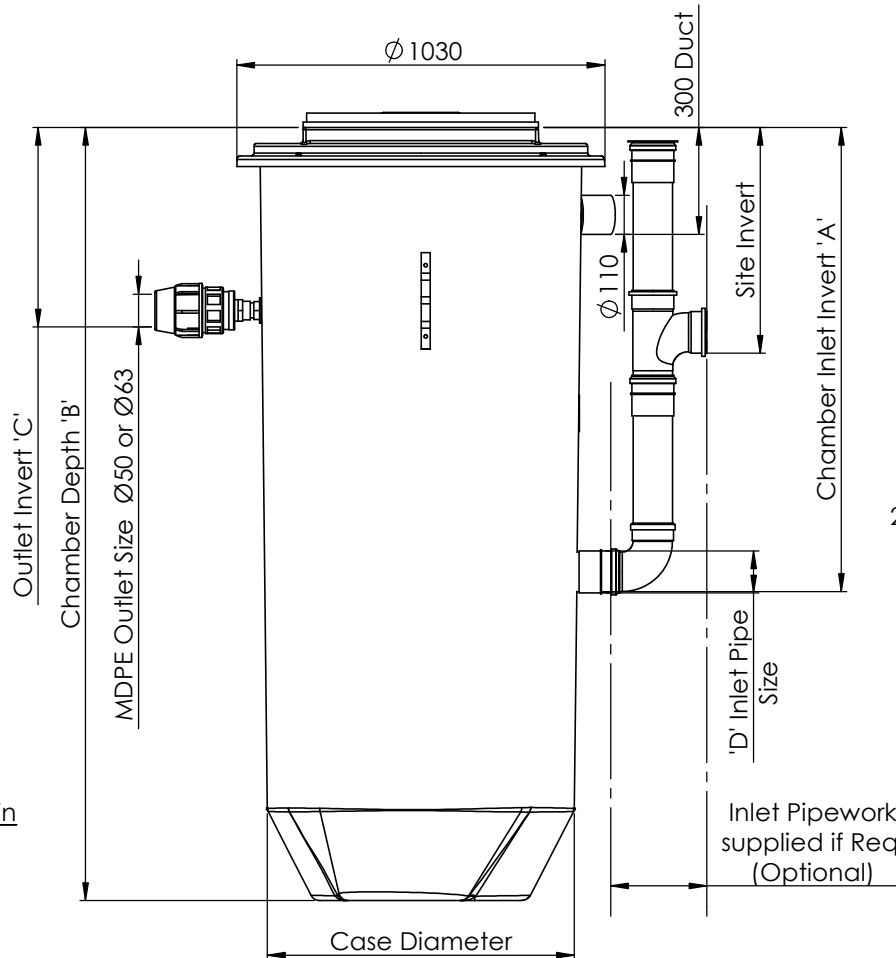
HLA Float

Start Float

Grinder Pumps (Manual)

Stop Float

Pump Chamber
Casing



Notes:

- Pumpwell delivered with Control Panel and Float Switches not installed to avoid damage in transit.
- Read Operating and Installation Guidelines before installing.

Case Diameter	Outlet Invert 'C'	Chamber Depth 'B'			Inlet Invert 'A' - Standard			Inlet Size 'D'	Inlet Positions 'E'
		Chamber A (2.16m)	Chamber B (2.67m)	Chamber E (1.58m)	Chamber A (1.3m)	Chamber B (1.8m)	Chamber E (0.7m)		
Ø900mm	535mm	•			•			Ø110mm or Ø160mm	0°, 45°, 90°, 135°, 180°, 225°, 270°, 315°
			•			•			
				•			•		

Please check with Clearwater Process Control that this drawing is the latest issue				
Issue	Date	Drawn by	Approved by	Description
05	31/05/19	J.Belovic		CC1488 - Adding Inlet Pipe Positions
04	08/04/19	J.Belovic		CC1470 - Changing Lid to Manhole Cover
03	12/12/18	J.Belovic		CC1451 - Adding 'E' - 1.5m' Configuration

Material : Various
Finish :
Weight : 101.97 Kg
Modelled By : Name

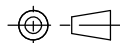
Tolerance (unless stated) :
Thickness : n/a
Surface Area : m²

Drawing : DS1174P

Page 1 of 1

Twin Grinder Pump Chamber Sales Drawing

All Dimensions In mm Scale: Do Not Scale



Third Angle Projection

Kingspan Environmental reserve the right to alter the details of this drawing without prior notice. This drawing is copyright and may not be reproduced or used without the written permission of Kingspan Environmental

