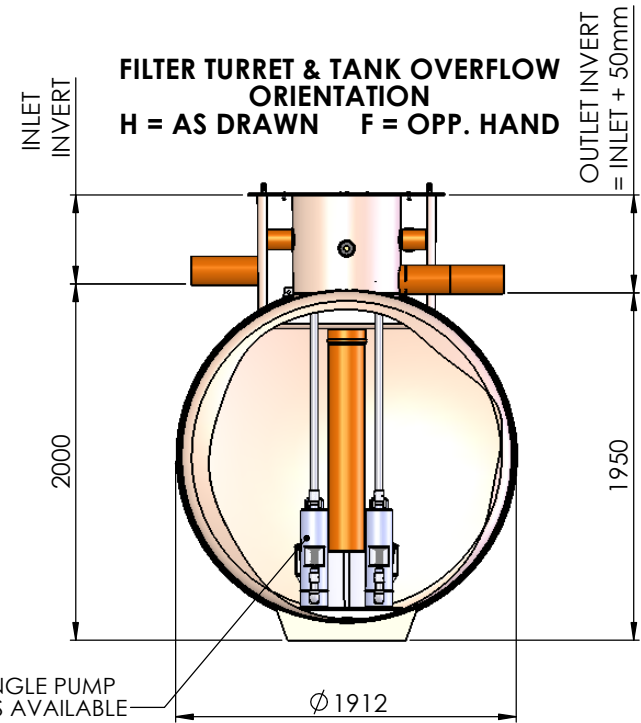


Dimension Table Ø1.8 Tanks									
System	Dim 'A' (mm)	Height Dim 'B' (Invert Option)				Dim 'C' (mm)	Approx kg (Empty)	Volume (L)	Tank Ø (m)
		Inlet Invert 500mm	Inlet Invert 1000mm	Inlet Invert 1500mm	Inlet Invert 2000mm				
ENV0275	3240	2500	3000	3500	4000	950	435	8,000	1.8
ENV0350	3970	2500	3000	3500	4000	1050	495	10,000	1.8
ENV0485	5550	2500	3000	3500	4000	1700	560	14,000	1.8

- NOTES:-
- FOR PIPEWORK OPTIONS SEE ARTICLE STRUCTURE.
 - FILTER L2 = FLOW RATE * 10ltrs/sec (AV. ROOF AREA 1440m² @ 25mm)
 FILTER L4 = FLOW RATE * 40ltrs/sec (AV. ROOF AREA 5760m² @ 25mm)
 - IT IS ESSENTIAL THAT THIS DRAWING IS READ IN CONJUNCTION WITH INSTALLATION DOCUMENT (SUPPLIED WITH UNIT) GIVING INSTALLATION DETAILS. THIS DRAWING SHOULD BE USED FOR DIMENSIONAL INFORMATION ONLY.
 - IF UNIT REQUIRES NECK EXTENSIONS, CONSULT TECHNICAL SALES, PARTS TO BE ASSEMBLED ON SITE.



Filter Std. Pipe Dia's.
 A=110mm
 C=160mm
 D=200mm
 F=250mm
 G=315mm
 (See Article Structure)

Please check with Kingspan Environmental that this drawing is the latest issue			
Issue	Date	Drawn by	Approved by
03	23.12.14	T.Kelly	
02	26.06.12	P.T.C	

Material : Various	Tolerance :
Finish :	Thickness : n/a
Weight : 420.14 Kg Kgs	Surface Area :

Drawing : DS1161P Page 1 of 1
 8,000L To 14,000L RWH Storage Tanks + Filter

All dimensions in mm Scale: Not to scale

Kingspan Environmental reserve the right to alter the details of this drawing without prior notice. This drawing is copyright and may not be reproduced or used without the written permission of Kingspan Environmental.

